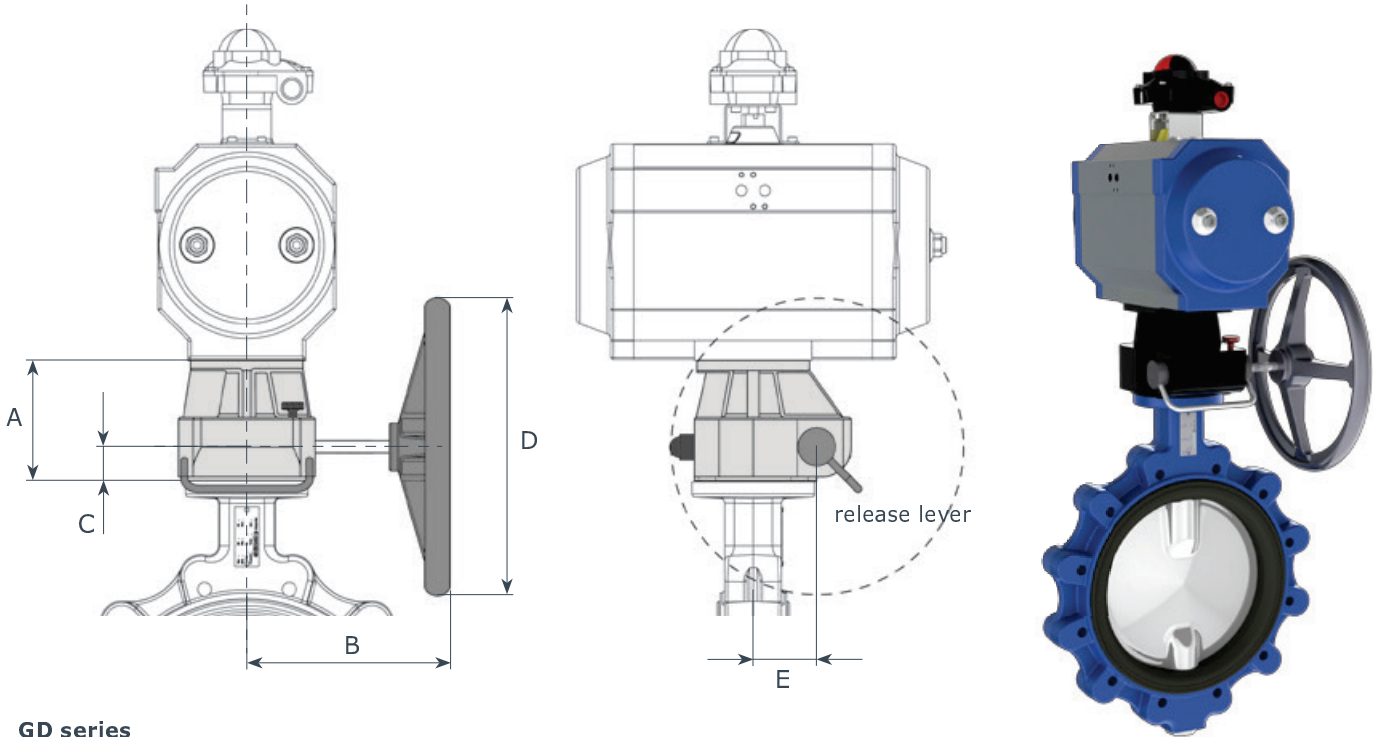


Dec clutchable manual gearboxes: aluminium - GD serie

A declutchable manual gear should be inserted between valve and actuator, in order to secure valve operation in case of emergency.

In normal conditions, the gearbox is declutched so that the handwheel does not rotate when working the actuator.

In case of emergency (air failure) the gearbox can be easily engaged by means of the side lever and the valve can be easily operated by means of the handwheel.



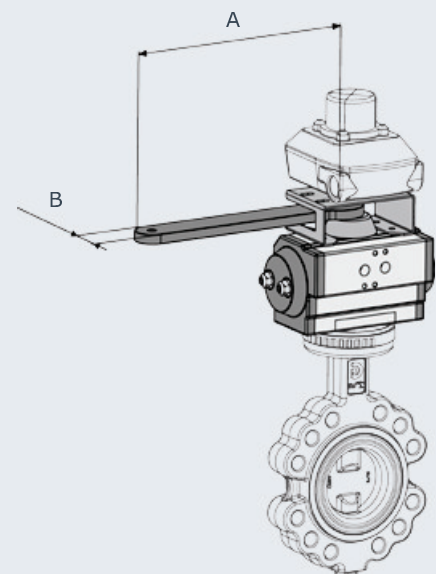
GD series

body:	aluminium	handwheel:	steel
worm gears:	steel	protection:	IP65
sector gear:	ductile iron	T:	-20 / +120 °C
shaft:	stainless steel		

	A	B	C	D	E	gear ratio	output Nm	weight Kg
GD070	118	150	34	200	52.2	1:38	470	3.5
GD102	125	180	35,5	300	65	1:36	810	5.6
GD140	162	300	50	400	85	1:50	1310	12.5
GD165	181	395	61	600	105	1:55	2800	22.5
GD254	205	406	80	700	130	1:52	5500	26

Ø valve	DA actuator double action	SR actuator spring return	emergency gearbox type
DN 40÷150	UT 20÷45	UTS 20÷35	GD070
DN 40÷300	UT 35÷55	UTS 35÷50	GD102
DN 200÷400	UT 50÷65	UTS 55÷65	GD140
DN 450÷600	UT 60	UTS 70÷75	GD165
DN 600÷800	UT 70÷75	≈	GD254

Emergency lever (only double acting)



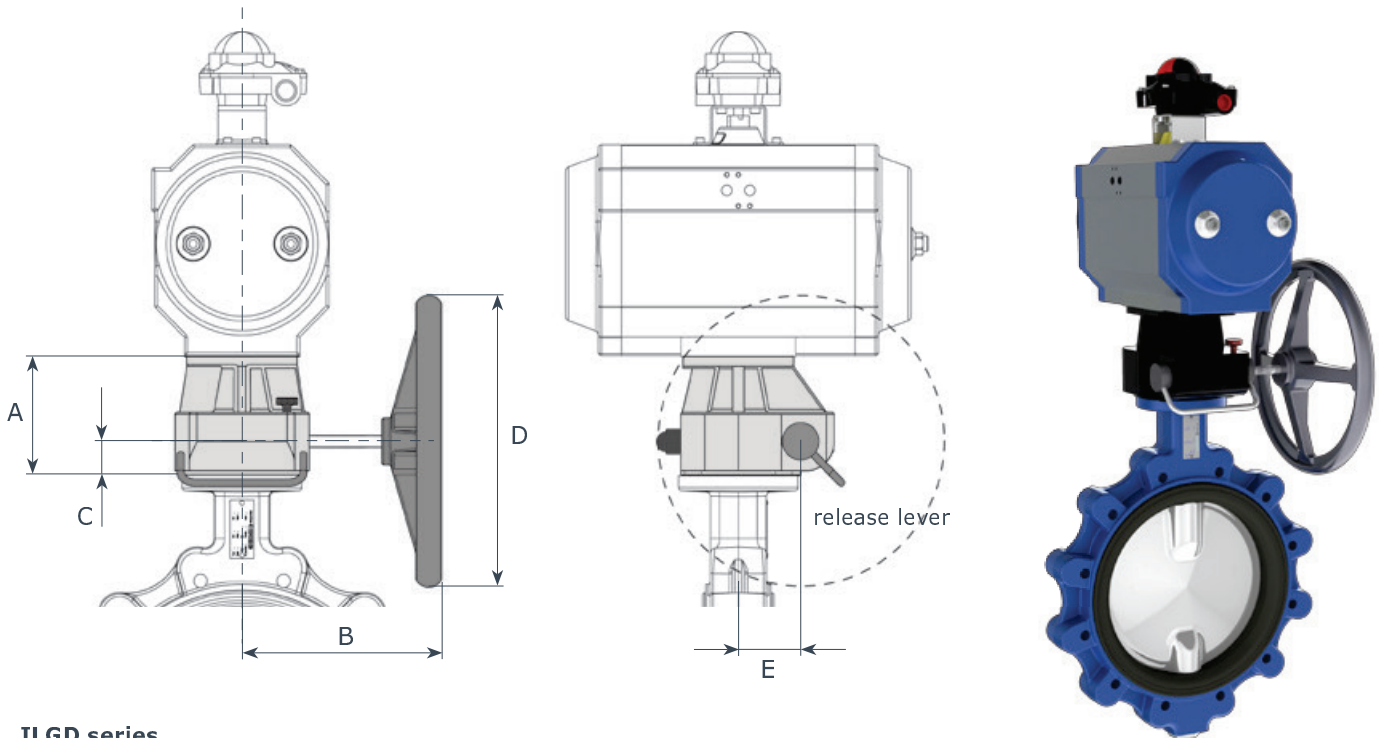
	A	B
UT10 ÷ UT20	218	35
UT25 ÷ UT35	218	35
UT40 ÷ UT50	385	40

Declutchable manual gearboxes: Cast Iron - ILGD serie

A declutchable manual gear should be inserted between valve and actuator, in order to secure valve operation in case of emergency.

In normal conditions, the gearbox is declutched so that the handwheel does not rotate when working the actuator.

In case of emergency (air failure) the gearbox can be easily engaged by means of the side lever and the valve can be easily operated by means of the handwheel.



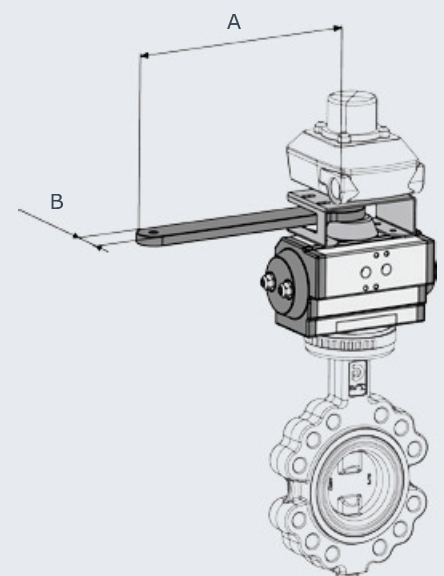
ILGD series

body:	cast iron GG25	handwheel:	steel
worm gears:	steel	protection:	IP65 (on req.)
sector gear:	ductile iron	T:	-20 / +120 °C
shaft:	steel		

	A	B	C	D	E	gear ratio	output Nm	weight Kg
ILGD 200	122	216	42	200	53.2	1:35	250	7.3
ILGD 600	145	260	51	250	64.5	1:46	750	17
ILGD 900	160	290	56.5	400	84.5	1:45	1450	21
ILGD 1500	175	333	55	400	107.5	1:57	2485	34
ILGD 2400	194	364	62	DN 450-500: 600 DN 600: 700	127	1:68	3390	54
ILGD 5000	209	406	72	800	155	1:104	7450	80

∅ valve	DA actuator double action	SR actuator spring return	emergency gearbox type
DN 40÷150	UT 15÷45	UTS 15÷35	ILGD 200
DN 40÷300	UT 35÷55	UTS 35÷55	ILGD 600
DN 200÷400	UT 50÷65	UTS 50÷65	ILGD 900
DN 350÷600	UT 70	UTS 70	ILGD 1500
DN 450÷600	UT 75	UTS 70÷75	ILGD 2400
DN 600÷800	UT 70÷75	≈	ILGD 5000

Emergency lever (only double acting)



	A	B
UT10 ÷ UT20	218	35
UT25 ÷ UT35	218	35
UT40 ÷ UT50	385	40