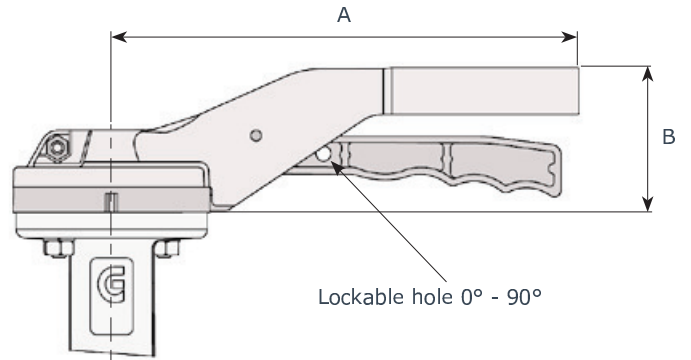
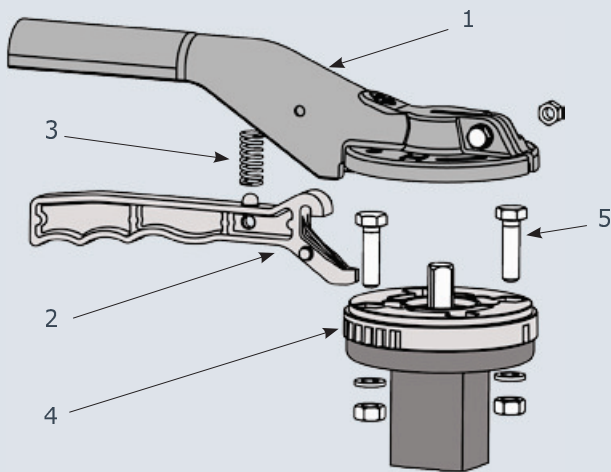
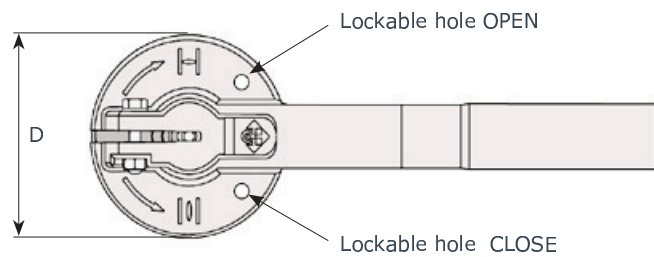


### Handlevers



DN	A	B	D	Kg
40 - 100	220	67	93	0.6
125 - 150	275	67	93	0.65
200 - 300	340	76	125	1

Note:  
DN 250 - 300 handlever not recommended  
(PD series excluded)

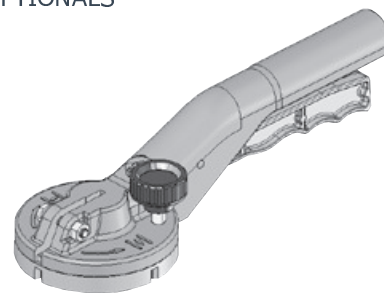


#### DN40 - 300

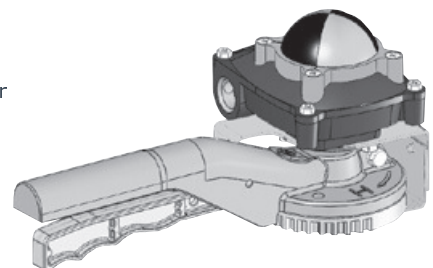
#### DN40 - 150

1	lever	aluminium	A351 CF8M
2	trigger	aluminium	A351 CF8M
3	spring	stainless steel	stainless steel
4	disc positioning	aluminium	A351 CF8M
5	screws	stainless steel	stainless steel

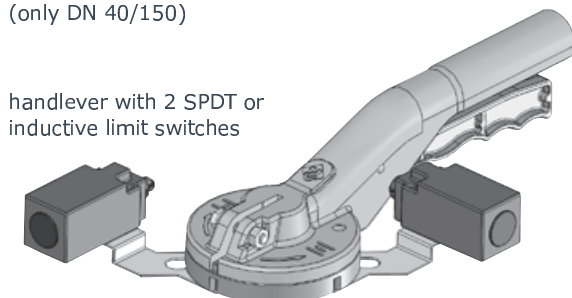
#### OPTIONALS



Adjustable handlever

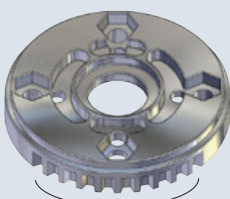


handlever with switch box  
(only DN 40/150)

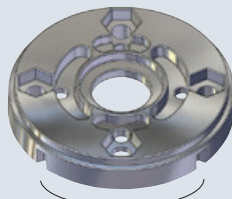


handlever with 2 SPDT or  
inductive limit switches

positioning disc DN 40 - 150 designed for flanges ISO 5211 F05/F07



10 positions



Open - Closed

positioning disc with two types of regulation: 10 positions or Open/Close