

### Gearboxes

Aluminium body - HW Series

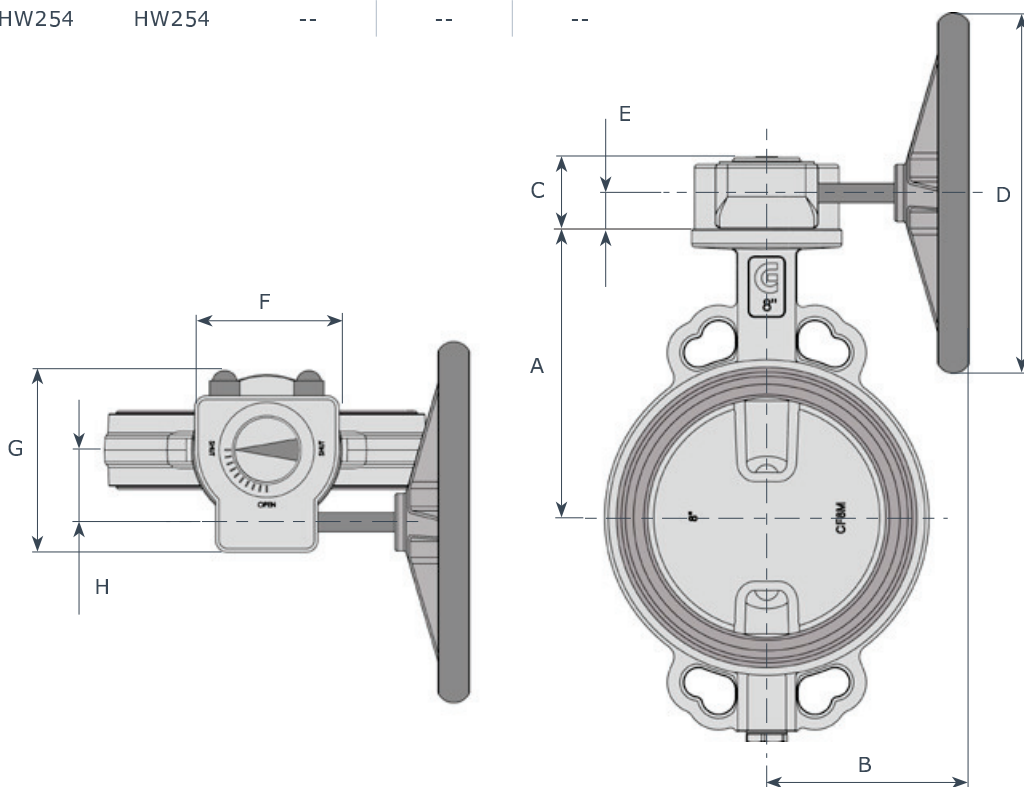
### Coupling valve - actuators

DN	"	PD	KI			KA	KX
			p = 6 bar	p = 10 bar	p = 16 bar		
40	1 <sup>1/2</sup>	--	HW070	HW070	HW070	--	--
50	2	--	HW070	HW070	HW070	HW070	HW070
65	2 <sup>1/2</sup>	--	HW070	HW070	HW070	HW070	HW070
80	3	HW070	HW070	HW070	HW070	HW070	HW070
100	4	HW070	HW070	HW070	HW070	HW070	HW070
125	5	HW070	HW070	HW070	HW070	HW070	HW070
150	6	HW070	HW070	HW070	HW070	HW070	HW070
200	8	HW102	HW102	HW102	HW102	HW102	HW102
250	10	HW102	HW102	HW102	HW102	HW102	HW102
300	12	HW102	HW102	HW102	HW102	--	--
350	14	HW140	HW140	HW140	HW140	HW140	--
400	16	HW140	HW140	HW140	HW140	HW165	--
450	18	HW165	HW165	HW165	HW165	HW165	--
500	20	HW165	HW165	HW165	HW165	HW254	--
600	24	--	HW254	HW254	--	--	--
700	28	--	HW254	HW254	--	--	--
800	32	--	HW254	HW254	--	--	--

#### HW series

body: aluminium  
 worm gears: steel  
 sector gear: ductile iron  
 shaft: stainless steel  
 handwheel: steel  
 protection: IP65  
 T: -20 / +120 °C

DN	"	A
40	1 <sup>1/2</sup>	130
50	2	138
65	2 <sup>1/2</sup>	144
80	3	158
100	4	173
125	5	186
150	6	202
200	8	240
250	10	270
300	12	300
350	14	330
400	16	355
450	18	400
500	20	422
600	24	495
700	28	550
800	32	640



Mod.	B	C	D	E	F	G	H	Kg
HW070	165	48	140	27	80	115	42	1.6
HW102	240	56	300	33	120	150	60	3
HW140	250	95	400*	51	185	225	80	10
HW165	395	105	600	61	230	268	105	20
HW254	416	125	700	80	265	332	130	25

\* for DN 350: D = 350

### Gearboxes

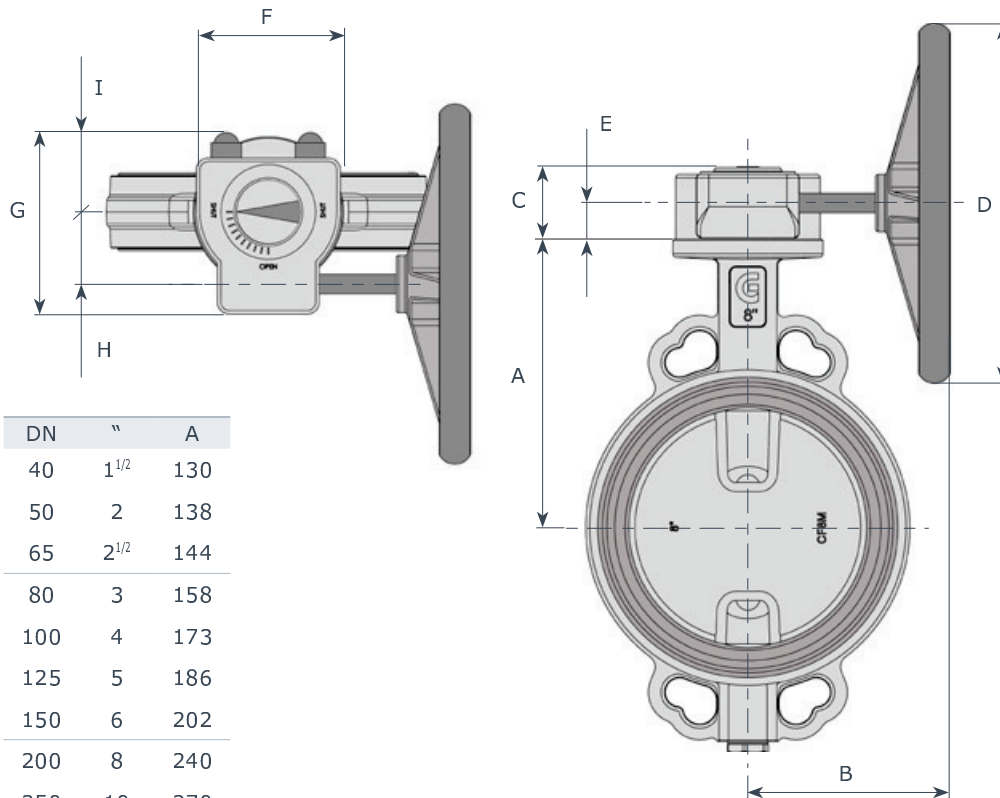
Cast Iron body - AB Series

### Coupling valve - actuators

DN	"	PD	KI			KA	KX
			p = 6 bar	p = 10 bar	p = 16 bar		
40	1 <sup>1/2</sup>	--	AB150	AB150	AB150	AB150	AB150
50	2	--	AB150	AB150	AB150	AB150	AB150
65	2 <sup>1/2</sup>	--	AB150	AB150	AB150	AB150	AB150
80	3	AB150	AB150	AB150	AB150	AB150	AB150
100	4	AB150	AB150	AB150	AB150	AB150	AB150
125	5	AB150	AB150	AB150	AB150	AB150	AB150
150	6	AB150	AB150	AB150	AB150	AB150	AB150
200	8	AB215	AB215	AB215	AB215	AB215	AB215
250	10	AB550	AB550	AB550	AB550	AB550	AB550
300	12	AB550	AB550	AB550	AB550	AB550	--
350	14	AB880	AB880	AB880	AB880	AB880	--
400	16	AB880	AB880	AB880	AB880	AB880	--
450	18	AB880	AB880	AB880	AB880	AB1250	--
500	20	AB880	AB880	AB880	AB880	AB1250	--
600	24	--	AB1250	AB1250	--	AB1954	--
700	28	--	AB1950	AB1950	--	AB6804	--
800	32	--	AB1950	AB1954	--	AB6806	--

### AB series

body: cast iron GG25  
 worm gears: steel  
 sector gear: ductile iron  
 shaft: steel  
 handwheel: steel  
 protection: IP67  
 T: -20 / +120 °C  
 low/high temperature execution on request



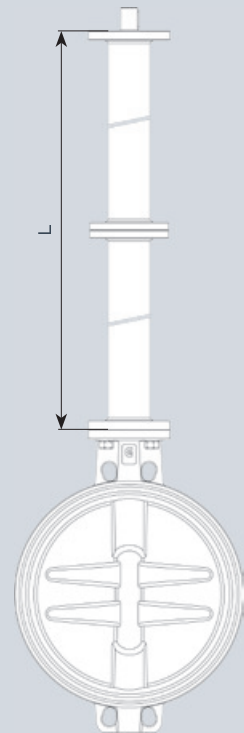
DN	"	A
40	1 <sup>1/2</sup>	130
50	2	138
65	2 <sup>1/2</sup>	144
80	3	158
100	4	173
125	5	186
150	6	202

Mod.	B	C	D	E	F	G	H	I	Kg
AB150	157.5	55	200	27	80	124	43	58	2.2
AB215	217	63	200	29	102	128	52	48	3.5
AB550	282	88	300	41	138	174	71	69	8.5
AB880	282	93	400	42	200	226	86	100	14
AB1250	322	102	500	48	220	258	105	110	22
AB1950	425	126	600	55	285	323	130	143	32
AB195-PR4	398	126	600	55	285	323	130	143	39
AB680-PR4	451	159	600	59	370	407	182	170	62.5
AB680-PR6	451	159	600	59	370	407	182	170	64.2

### Waterproof valve shaft extension

When necessary, it's possible to extend the valve shaft as indicated in the figure. Construction is in carbon steel with protective paint (on request stainless steel).

"L" measure should be indicated when ordering.



Our technical department is available to solve special applications.