

# Operating Instructions

## VEGASOURCE 81

Source holder



Document ID: 66075



# VEGA

# Contents

<b>1</b>	<b>About this document</b>	<b>4</b>
1.1	Function	4
1.2	Target group	4
1.3	Symbols used	4
<b>2</b>	<b>For your safety</b>	<b>5</b>
2.1	Authorised personnel	5
2.2	Appropriate use	6
2.3	Warning about incorrect use	6
2.4	General safety instructions	6
2.5	Application reference	7
2.6	Installation and operation in the USA and Canada	8
2.7	Environmental instructions	8
<b>3</b>	<b>Product description</b>	<b>9</b>
3.1	Configuration	9
3.2	Principle of operation	12
3.3	Packaging, transport and storage	13
3.4	Shipment	17
3.5	Accessories	18
<b>4</b>	<b>Mounting</b>	<b>20</b>
4.1	General instructions	20
4.2	Mounting instructions	21
<b>5</b>	<b>Installation - Special equipment</b>	<b>29</b>
5.1	Version B: Connection - Pneumatic switchover	29
5.2	Version X, C, B: Connection - Manual switchover	31
<b>6</b>	<b>Setup</b>	<b>33</b>
6.1	Adjustment - Version X, C - Manual switchover	33
6.2	Adjustment - Version B - Pneumatic switchover	35
<b>7</b>	<b>Maintenance and fault rectification</b>	<b>38</b>
7.1	Cleaning	38
7.2	Maintenance	38
7.3	Test of the switchover	39
7.4	Tightness test	40
7.5	Rectify faults	42
7.6	What to do in case of emergency	42
<b>8</b>	<b>Dismount</b>	<b>44</b>
8.1	Dismounting steps	44
8.2	Return	44
<b>9</b>	<b>Supplement</b>	<b>46</b>
9.1	Technical data	46
9.2	Dimensions	54
9.3	Manufacturer declaration	64
9.4	Industrial property rights	65
9.5	Trademark	65



# 1 About this document

## 1.1 Function

This instruction provides all the information you need for mounting, connection and setup as well as important instructions for maintenance, fault rectification, the exchange of parts and the safety of the user. Please read this information before putting the instrument into operation and keep this manual accessible in the immediate vicinity of the device.

## 1.2 Target group

This operating instructions manual is directed to trained personnel. The contents of this manual must be made available to the qualified personnel and implemented.

## 1.3 Symbols used



### Document ID

This symbol on the front page of this instruction refers to the Document ID. By entering the Document ID on [www.vega.com](http://www.vega.com) you will reach the document download.



**Information, note, tip:** This symbol indicates helpful additional information and tips for successful work.



**Note:** This symbol indicates notes to prevent failures, malfunctions, damage to devices or plants.



**Caution:** Non-observance of the information marked with this symbol may result in personal injury.



**Warning:** Non-observance of the information marked with this symbol may result in serious or fatal personal injury.



**Danger:** Non-observance of the information marked with this symbol results in serious or fatal personal injury.



### Ex applications

This symbol indicates special instructions for Ex applications.



### List

The dot set in front indicates a list with no implied sequence.



### Sequence of actions

Numbers set in front indicate successive steps in a procedure.



### Disposal

This symbol indicates special instructions for disposal.

## 2 For your safety

### 2.1 Authorised personnel

All operations described in this documentation must be carried out only by trained, qualified personnel authorised by the plant operator.

During work on and with the device, the required personal protective equipment must always be worn.

The handling of radioactive substances is regulated by law. The radiation protection rules of the country in which the system is operated apply first and foremost.

In Germany the current radiation protection ordinance (StrlSchV) based on the Atomic Energy Law (AtG) is applicable.

The following points are important for measurement with radiometric methods:

#### Handling permit

A handling permit is required for operation of a system using gamma rays. This permit is issued by the respective state government or the responsible authority (offices for environmental protection, trade supervisory boards, etc.)

We would be pleased to assist you in applying for the permit.

#### General instructions for radiation protection

When handling radioactive sources, unnecessary radiation exposure must be avoided. An unavoidable radiation exposure must be kept as low as possible. Take note of the following three important measures:

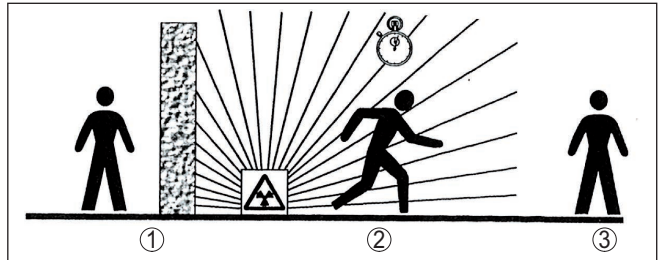


Fig. 1: Measures for protection against radioactive radiation

- 1 Shielding
- 2 Time
- 3 Distance

**Shielding:** Provide good shielding between the source and yourself as well as all other persons. Special source containers as well as all materials with high density (e.g. lead, iron, concrete, etc.) provide effective shielding.

**Time:** Stay as short a time as possible in radiation exposed areas.

**Distance:** Your distance to the source should be as large as possible. The local dose rate of the radiation decreases in proportion to the square of the distance to the radiation source.

**Radiation safety officer**

The plant operator must appoint a radiation safety officer with the necessary expert knowledge. He is responsible for ensuring that the radiation protection ordinance is complied with and for implementing all radiation protection measures.

You can also find certified course providers on the homepage of the Federal Office for Radiation Protection: [www.bfs.de](http://www.bfs.de).

**Control area**

Control areas are areas in which the local dose rate exceeds a certain value. Only persons who undergo official dose monitoring are allowed into these control areas. You can find the respectively valid limit values for control areas in the radiation protection ordinance.

We are at your disposal for further information concerning radiation protection and regulations in other countries.

## 2.2 Appropriate use

When in operating mode, the source container VEGASOURCE 81 described in this document contains a radioactive source for radiometric level, interface, switching and density measurement as well as mass flow detection. The source container shields the radiation off from the surroundings and only allows it to exit, practically unhindered, in the direction of measurement.

To ensure the shielding effect and exclude damage to the radioactive source, all instructions in this operating instructions manual and the legal radiation protection regulations must be observed during installation and operation.

Operational reliability is ensured only if the instrument is used properly. We are not liable for damages caused by improper use.

You can find detailed information about the area of application in chapter " *Product description*".

## 2.3 Warning about incorrect use

Inappropriate or incorrect use of this instrument can give rise to hazards, e.g. risk to persons through exposure to gamma radiation. Damage to property and persons or environmental contamination can result. Also, the protective characteristics of the instrument can be impaired.

Take note of the respective safety instructions.

## 2.4 General safety instructions

This is a state-of-the-art instrument complying with all prevailing regulations and directives. The instrument must only be operated in a technically flawless and reliable condition. The operator is responsible for the trouble-free operation of the instrument. When measuring aggressive or corrosive media that can cause a dangerous situation if the instrument malfunctions, the operator has to implement suitable measures to make sure the instrument is functioning properly.

During the entire duration of use, the user is obliged to determine the compliance of the necessary occupational safety measures with the

current valid rules and regulations and also take note of new regulations.

The safety instructions in this operating instructions manual, the national installation standards as well as the valid safety regulations and accident prevention rules must be observed by the user.

For safety and warranty reasons, any invasive work on the device beyond that described in the operating instructions manual may be carried out only by personnel authorised by the manufacturer. Arbitrary conversions or modifications are explicitly forbidden. For safety reasons, only the accessory specified by the manufacturer must be used.

To avoid any danger, the safety approval markings and safety tips on the device must also be observed.

## 2.5 Application reference

- Take note of the applicable regulations and national/international standards.
- Take note of the radiation protection ordinance when using, storing and working with the radiometric measuring system.
- Take note of the warning instructions and safety zones.
- Install and operate the instrument according to the documentation and the respective official regulations.
- The instrument must not be operated and stored outside the specified parameters.
- Protect the instrument against extreme influences (e.g. chemical products, weather, mechanical shock, vibration, etc.) during operation and storage. Especially when loaded with a source, the instrument may not be destroyed for any reason (e.g. for scraping).
- Before switching on the radiation, make sure that no persons are in the radiation area (also not outside the vessel). The radiation must only be switched on by trained personnel.
- Do not use a corroded or damaged instrument. Inform the responsible radiation safety officer as soon as damage or corrosion appears and follow his instructions.
- Carry out the necessary tightness test according to the applicable rules and instructions.
- If there are doubts about the proper condition of the measuring system, check if there is radiation in the environment of the instrument and inform the responsible radiation safety officer.
- Always secure the switch position OFF with a lock.

The combination lock can be opened with the number combination **000** on delivery.

We recommend changing the number combination to a personal number sequence. Make a note of the number combination and keep it in a safe place.

## **2.6 Installation and operation in the USA and Canada**

This information is only valid for USA and Canada. Hence the following text is only available in the English language.

Installations in the US shall comply with the relevant requirements of the National Electrical Code (ANSI/NFPA 70).

Installations in Canada shall comply with the relevant requirements of the Canadian Electrical Code.

## **2.7 Environmental instructions**

Protection of the environment is one of our most important duties. That is why we have introduced an environment management system with the goal of continuously improving company environmental protection. The environment management system is certified according to DIN EN ISO 14001.

Please help us fulfil this obligation by observing the environmental instructions in this manual:

- Chapter "*Packaging, transport and storage*"
- Chapter "*Disposal*"



## 3 Product description

### 3.1 Configuration

#### Type label

The type labels contain the most important data for identification and use of the source holder and the source:

- **Source holder**
  - Order code
  - Serial number - Source holder
  - Exit angle
  - QR code
  - Article number - Documentation
- **Source**
  - Isotope contained
  - Activity
  - Country of origin
  - Serial number - Source
  - Loading date

The serial number allows you to access the delivery data of the instrument via "[www.vega.com](http://www.vega.com)", "*Instrument search (serial number)*".

#### Versions

There are several versions available with different options for opening or blocking the beam exit. Apart from the manual versions, there are also a version with pneumatic switchover.

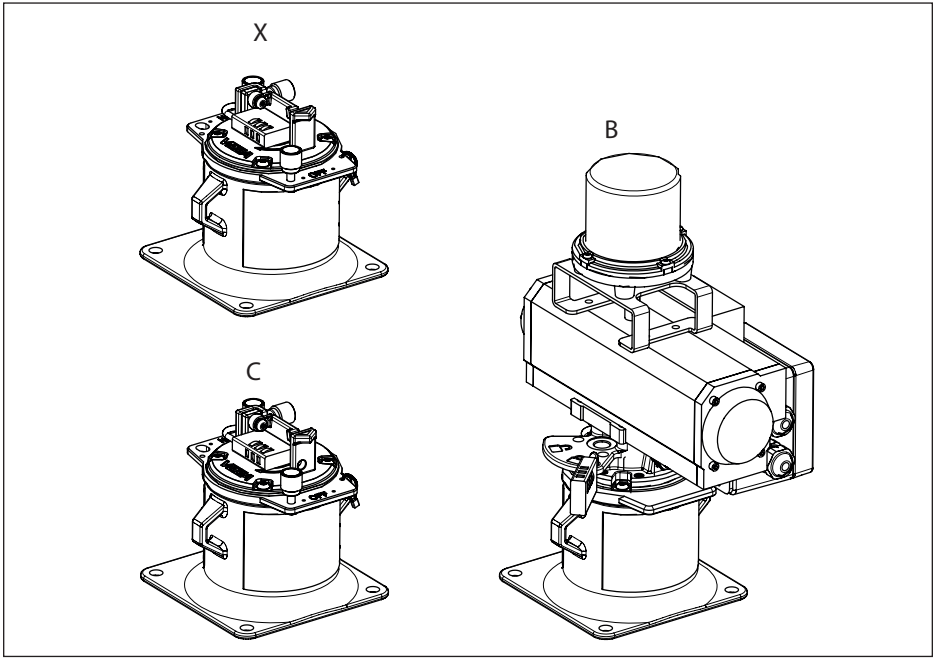


Fig. 2: Versions VEGASOURCE 81 (Overview)

Version X: Standard version with manual changeover (lock for position: OFF)

Version C: Standard version with manual changeover (lock for position: ON/OFF)

Version B: with pneumatic switchover

### Features of the versions

	X Manually	C Manually	B Pneumatics
Manual switching	●	●	–
Cover (optional)	●	●	–
Padlock - ON	–	●	–
Padlock - OFF	●	●	●
Pneumatic switching	–	–	●
With electrical ON/OFF position switch (optionally)	●	●	●
With Interlock switch (optionally)	●	●	–

Tab. 1: Features of the instrument versions

Version X, C

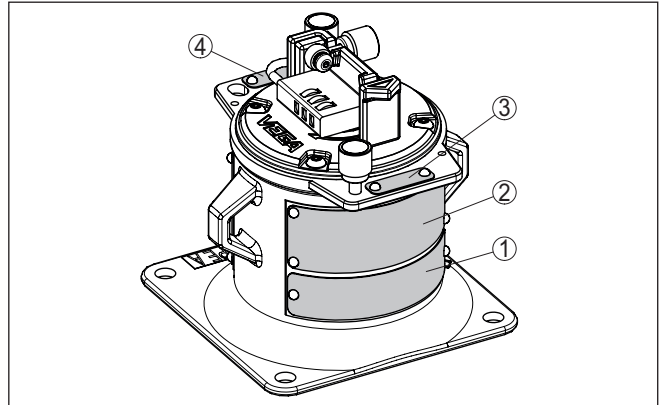


Fig. 3: Position of the type labels - e.g. version X, C - Manual switchover

- 1 Type label - Source holder
- 2 Type label - Source
- 3 Position indication OFF
- 4 Position indication ON

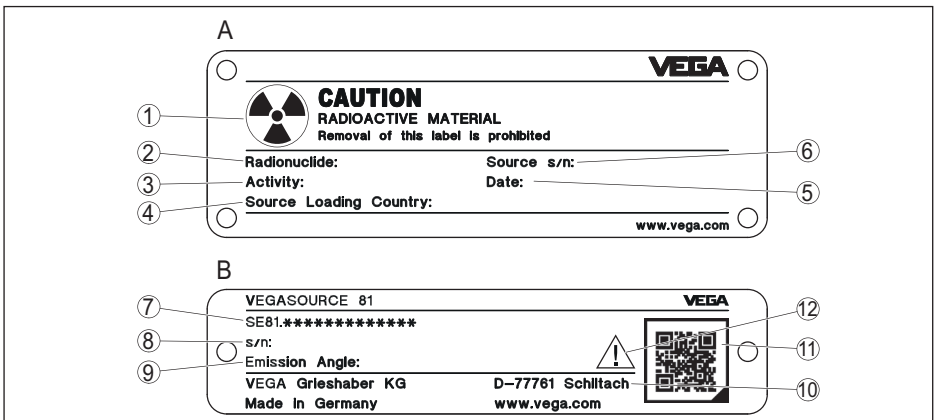


Fig. 4: Type label - e.g. version X, C - Manual switchover

- A Type label - Source
- B Type label - Source holder
- 1 Warning - Radioactivity
- 2 Source: Cs-137
- 3 Activity of the sources in MBq and mCi or GBq and mCi
- 4 Country of origin of the source
- 5 Loading date of the sources (MM/YYYY)
- 6 Serial number of the source capsule (for traceability of the source)
- 7 Order code - Source container
- 8 Serial number - Source holder
- 9 Beam exit angle
- 10 Manufacturer
- 11 QR code
- 12 Number of the corresponding operating instructions

66075-EN-220701

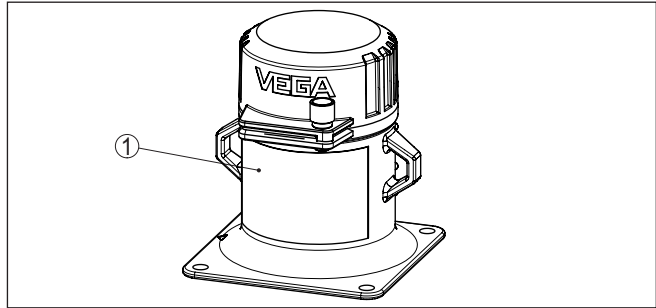
**General License**

Fig. 5: Position of the additional type label "General License" (only for USA)

1 General License

**Serial number - Instrument search**

The type label contains the serial number of the instrument. With it you can find the following instrument data on our homepage:

- Product code (HTML)
- Delivery date (HTML)
- Order-specific instrument features (HTML)
- Operating instructions and quick setup guide at the time of shipment (PDF)
- Test certificate (PDF) - optional

Move to "[www.vega.com](http://www.vega.com)" and enter in the search field the serial number of your instrument.

Alternatively, you can access the data via your smartphone:

- Download the VEGA Tools app from the "*Apple App Store*" or the "*Google Play Store*"
- Scan the QR-code on the type label of the device or
- Enter the serial number manually in the app

**Scope of delivery**

The scope of delivery typically consists of the following components.

- Source holder
- Documentation
  - This operating instructions manual
  - Certificate of the source (source capsule)
  - If necessary, further certificates

**3.2 Principle of operation****Application area**

The VEGASOURCE 81 is a source holder for shielding radioactive sources Cs-137.

The radioactive source in the source container emits gamma rays. The VEGASOURCE 81 is mounted on the vessel or the pipeline directly opposite the sensor.

The source holder shields the environment against gamma radiation and protects the radioactive source from mechanical damage or

chemical influences. In case of large measuring ranges (e.g. with high vessels) two or more source holders are used.

The VEGASOURCE 81 consists of the components:

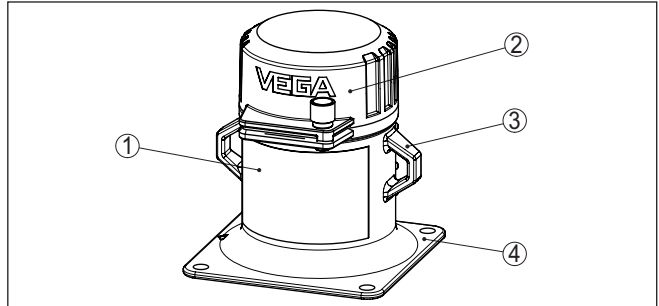


Fig. 6: Source holder VEGASOURCE 81

- 1 Source holder
- 2 Cover (optional)
- 3 Transport lug
- 4 Mounting surface

**Functional principle**

The rays emitted by the gamma source are damped when penetrating the medium. The sensor detecting the attenuated radiation on the opposite side of the vessel calculates the measured value from the intensity of the radiation.

**Source**

**Max. activity of the sources**

The following table states the max. activity of the sources. Production-related fluctuations of the radiation activity and tolerances of the measuring instruments are not taken into account.

**Local dose rate**

Country	USA	Europe II	Europe
Distance m (in)	0.3 m (1 ft)	1 m (3.3 ft)	0.3 m (1 ft)
Field (µSv/h)	50	3	3
Max. activity	20 mCi	10 mCi	1 mCi

Tab. 2: Local dose rate at standard distance



**Caution:**

The max. permissible activity of the source can be further limited by a country-specific approval.

**3.3 Packaging, transport and storage**

Your instrument was protected by packaging during transport. Its capacity to handle normal loads during transport is assured by a test based on ISO 4180.

The device packaging consists of wood. This material is environment-friendly and recyclable. Dispose of the packaging material via specialised recycling companies.

**Packaging**

66075-EN-220701

For transport, the source holder is fixed to the bottom plate of a wooden transport box.

**Transport inspection**

The delivery must be checked for completeness and possible transit damage immediately at receipt. Ascertained transit damage or concealed defects must be appropriately dealt with.

A seal is located on the outside of the transport packaging indicating that the packaging was not opened. Check the condition of this seal and record the intactness.

**Transport**

Transport must be carried out in due consideration of the notes on the transport packaging. Nonobservance of these instructions can cause damage to the device.

According to the IATA regulations, the source container serves adequately as type A packaging for the sources. For transport, the source holder is fixed on a transport board and protected by a wooden box.

Dimensions of the transport packaging (L x W x H) in mm (in):

- 560 x 560 x 580 mm (22 x 22 x 23 in)



**Warning:**

Check the hoisting equipment for sufficient lifting capacity, approx. 110 kg (244 lbs)

Persons must never stand beneath the loads.

When transporting, proceed according to the following illustrations.

We recommend using a lift truck or a fork truck for transport to the place of use.

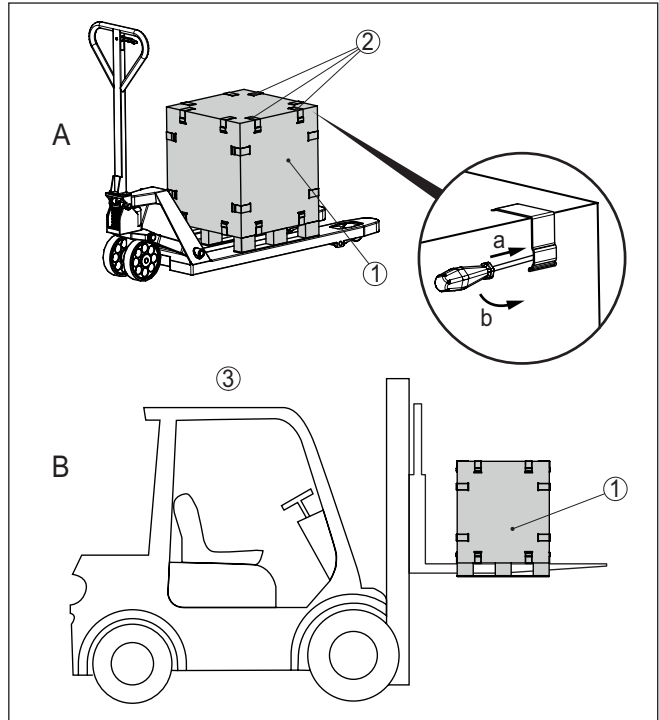


Fig. 7: Pallet transport of the type A packaging

- A Transport with lift truck
- B Transport with fork truck
- 1 Source holder in wooden box
- 2 Safety latches
- 3 Fork truck or other lifting vehicle
- a Insert slotted screwdriver into the recess
- b Lever the slotted screwdriver forward to release the tension lock

For the removal of the source holder, we recommend the use of suitable lifting equipment such as lifting bands, crane hooks, etc.



**Note:**

Additional equipment such as the ON/OFF position switches or a pneumatic switchover change the centre of gravity of the source holder.

When lifting the source holder from the transport box, secure it against tipping with a strap loop on the side.

See the following illustration.

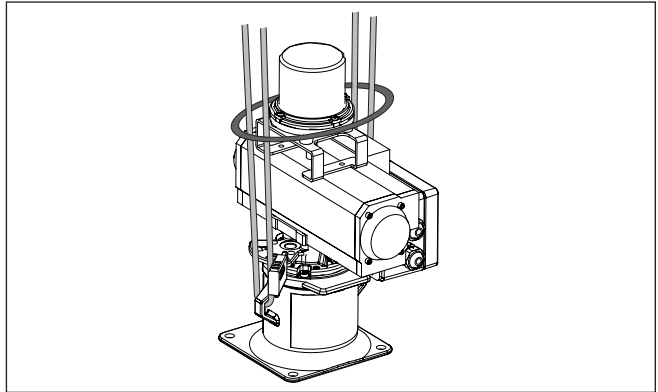


Fig. 8: Lifting of a source holder with pneumatic switchover

- Open the tension locks of the box lid with a large slotted screwdriver as shown in the illustration.
- Remove the box lid and take loose accessories out of the box.
- Open the tension locks on the side walls of the box with a large slotted screwdriver
- Remove the side walls of the box down to the base plate
- Guide the lifting bands through the ring eyelets on the side of the source holder
- Remove the transport screw connections to the base plate
- Slowly lift the source holder upwards from the bottom plate using the lifting bands.

### Crane transport

Use the lug of the source holder for transport on a crane hook.

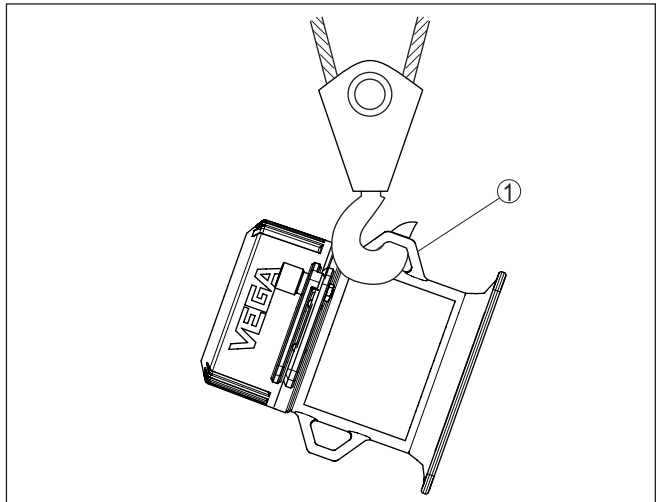


Fig. 9: Crane transport of the source holder

1 Lug



**Storage**

Up to the time of installation, the packages must be left closed and stored according to the orientation and storage markings on the outside.

Unless otherwise indicated, the packages must be stored only under the following conditions:

- Not in the open
- Dry and dust free
- Not exposed to corrosive media
- Protected against solar radiation
- Avoiding mechanical shock and vibration

**Storage and transport temperature**

- Ambient temperature for storage and transport see chapter " *Supplement - Technical data - Ambient conditions*"
- Relative moisture 20 ... 85 %

**Lifting and carrying**

With instrument weights of more than 18 kg (39.68 lbs) suitable and approved equipment must be used for lifting and carrying.

**3.4 Shipment****Transport regulations**

Radioactive sources are subject to strict regulations. Therefore, when shipping the sources, we are bound to the respective regulations of the country where they will be used.

**Germany**

We are only allowed to ship radioactive sources when we have a copy of the handling permit in hand. We can assist you with the procurement of the necessary documents. If you need help, contact our responsible sales organisation.

For safety reasons and to save costs, we always ship the source holder with the source installed. If the operator needs the source holder in advance, the source has to be shipped separately at a later time. In such cases, the source is shipped in a transport drum.

**Other countries**

We are only allowed to ship radioactive sources when we have a copy of the import license in hand. We can assist you with the procurement of the necessary documents. If you need help, contact our responsible sales organisation.

We can only ship to foreign countries when the radioactive source is mounted in the source holder.

During shipment, the source holder is in switch position OFF. This position is secured by a lock.

Transport of the loaded source holder is carried out by a company authorized by us, with official approval for such transports.

The transport is carried out in a type A packaging (source holder) in compliance with the European and international convention on the transport of dangerous goods (ADR and DGR/IATA regulations).

### 3.5 Accessories

#### Mounting accessories

Brackets and special mounting accessories are available for mounting the VEGASOURCE 81.

For mounting on pipelines, there are corresponding clamp brackets. Contact our sales staff.

#### Protective cap

To protect the switching mechanism of the VEGASOURCE 81 from dirt or contamination, a metallic protective cap is available.

This also allows the padlock to be permanently protected from dirt, moisture and corrosion.

The protective cap can only be used on the devices with manual switchover.

The protective cap is available as an accessory and can also be retrofitted.

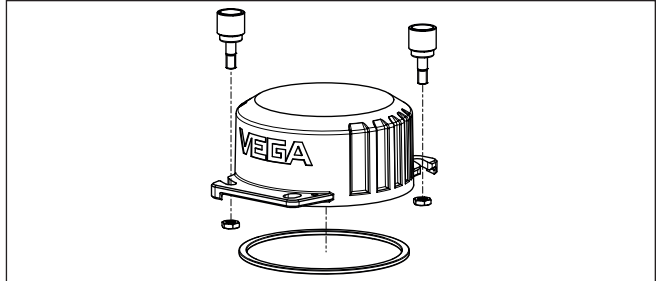


Fig. 10: Protective cap (optional) to protect against dirt and corrosion

#### Gamma modulator

In order to exclude external interference radiation, you can mount a gamma modulator in front of the source holder. This allows reliable measurement even when interference radiation occurs.

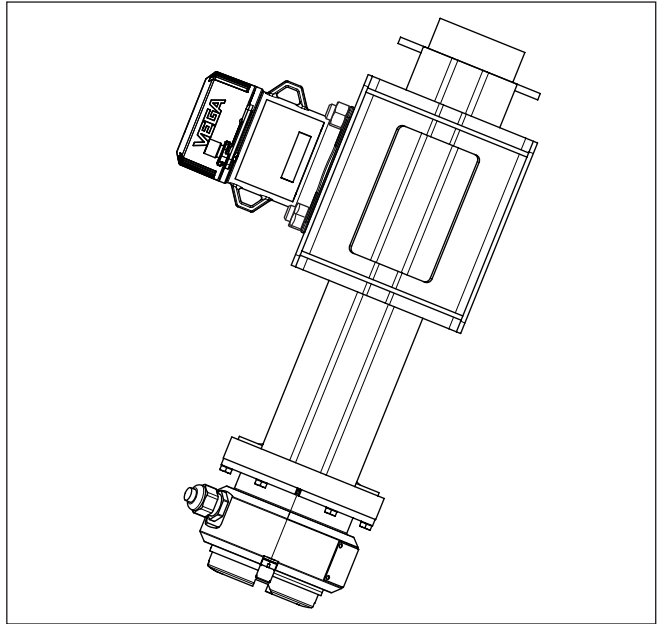


Fig. 11: Gamma modulator (optional) for uninterrupted measurement even with interference radiation

1 Gamma modulator (mounted on the source holder)

For ambient temperatures up to 120 °C (248 °C) the gamma modulator is optionally available with water cooling.

Any number of devices can be synchronized. To synchronize several gamma modulators, you need a controller.

### Set of labels

There is a special label set for the source holder which can be ordered as a spare part.

## 4 Mounting

### 4.1 General instructions

#### General information

- For mounting of VEGASOURCE 81 you need a special handling permit.
- Mounting may only be carried out by authorized, qualified personnel who are monitored for radiation exposure according to local laws or the handling permit. Take note of the specifications in the handling permit. Also take the local conditions into account.
- Carry out all work within the shortest possible time and at the largest possible distance. Provide suitable shielding
- Avoid risk to other persons by taking suitable measures (e.g. safety fence, etc.)
- All mounting and dismantling work must only be carried out with the switch in position OFF, secured with a lock.
- When mounting, take the weight of the source holder into account. The device weight can be found in chapter " *Technical data*".
- Depending on the version, the centre of gravity of VEGASOURCE 81 can vary. Keep this in mind during crane transport on the lug

#### Mounting with a crane



##### Warning:

Check the hoisting equipment for sufficient lifting capacity, approx. 110 kg (244 lbs).

Persons must never stand beneath the loads.

The source holder is screwed onto a transport board. Loosen the screws and lift the source holder from the transport board. For this purpose you have to use the lug of the source holder.

Use a suitable lifting tackle (shackle, snap hook, etc.) to fasten the source holder to the crane hook. Keep in mind that the source holder will tilt sideways while lifting.

#### Moisture

##### Versions with manual switchover

Protect the source holder against moisture and hence against corrosion. If the source holder is exposed directly to the elements, you should cover it with a roof or a suitable protective bonnet.

If you expect heavy soiling or dust on the source holder, use the optional protective cap.

##### Version with position switches

Use the recommended cables (see chapter " *Connecting to power supply*") and tighten the cable gland.

You can give your instrument additional protection against moisture penetration by leading the connection cable downward in front of the cable gland. Rain and condensation water can thus drain off. This applies mainly to outdoor mounting as well as installation in areas where high humidity is expected (e.g. through cleaning processes) or on cooled or heated vessels.

**Version with pneumatic switchover**

The pneumatic actuator must not be used under ambient conditions that can cause corrosion in and on the pneumatic actuator.

**4.2 Mounting instructions**

**Orientation - Level measurement**

For continuous level measurement the source holder must be mounted slightly above or at the height of the max. level. The radiation must be directed exactly towards the detector mounted on the opposite side.

The source holder VEGASOURCE should be mounted as close as possible to the vessel.

However, with large measuring ranges and small vessel diameters, a gap can often not be avoided.

If there are gaps or empty spaces around the installation, provide protective fences or grids to keep hands away from the dangerous area. Such areas must be marked accordingly.

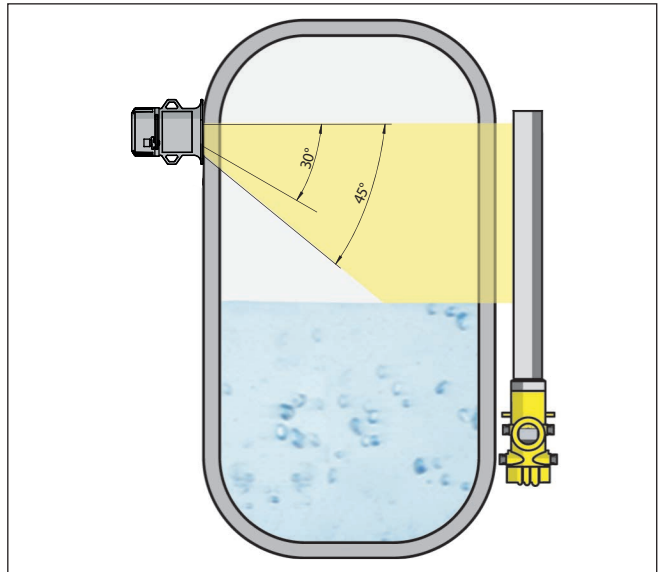


Fig. 12: Orientation - Source holder

Beam angle 30° and 45°

**Orientation - Limit level measurement**

For level detection, the version of the source container with an exit angle of  $\alpha = 5^\circ$  is suitable. The radiation must be directed exactly towards the detector mounted on the opposite side.

If you want to use larger exit angles (40° or 60°), you have to make sure the beam is horizontal. To do this you have to mount the source container so that the lugs are in a horizontal position.

The source holder VEGASOURCE should be mounted as close as possible to the vessel.

However, with large measuring ranges and small vessel diameters, a gap can often not be avoided.

If there are gaps or empty spaces around the installation, provide protective fences or grids to keep hands away from the dangerous area. Such areas must be marked accordingly.

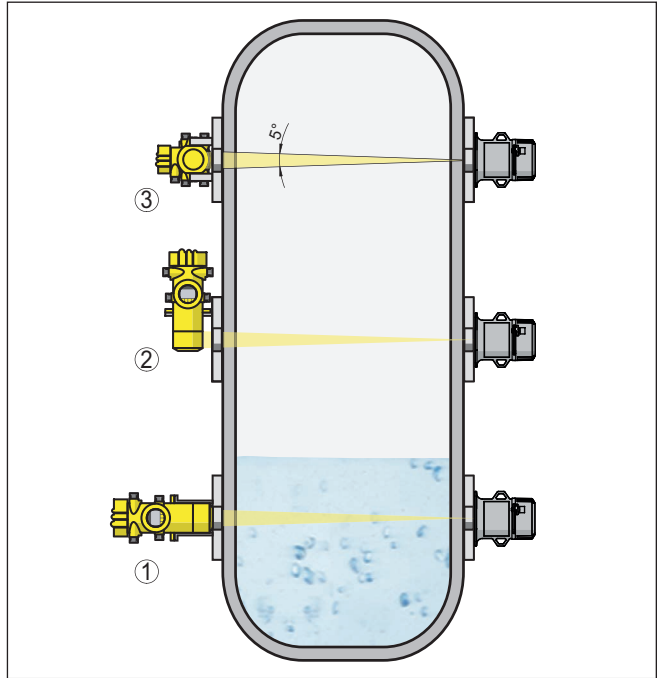


Fig. 13: Installation positions - Point level detection with MINITRAC 31

- 1 Horizontal mounting
- 2 Vertical mounting
- 3 Mounting horizontally, at right angles to container

For reliable point level detection over the entire vessel diameter, a correspondingly long level sensor can also be used. In the case of bulk solids, the reaching of a limit level on a large container cross-section can be reliably detected.

To do this, select the largest possible beam exit angle and mount the source holder rotated by  $90^\circ$ .

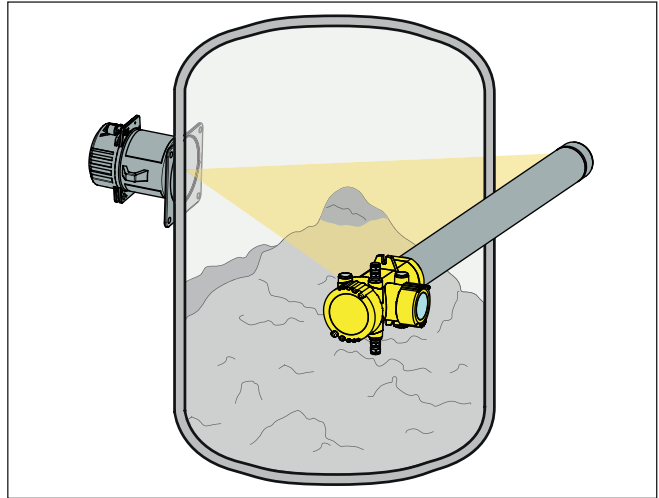


Fig. 14: Point Level detection with SOLITRAC 31

**Orientation - Density measurement**

The optimum and most constant conditions for density measurement in pipes can be achieved if you mount the measuring equipment on vertical pipelines or conveyors. The radiation must be oriented directly towards the detector mounted on the opposite side.

To extend the distance the beam travels through the medium and thus achieve a better measuring effect, the tube can be radiated diagonally or a measuring track can be used.

You can find the required mounting accessories in chapter " *Technical data*".

The source holder VEGASOURCE should be mounted as close as possible to the vessel.

However, with large measuring ranges and small vessel diameters, a gap can often not be avoided.

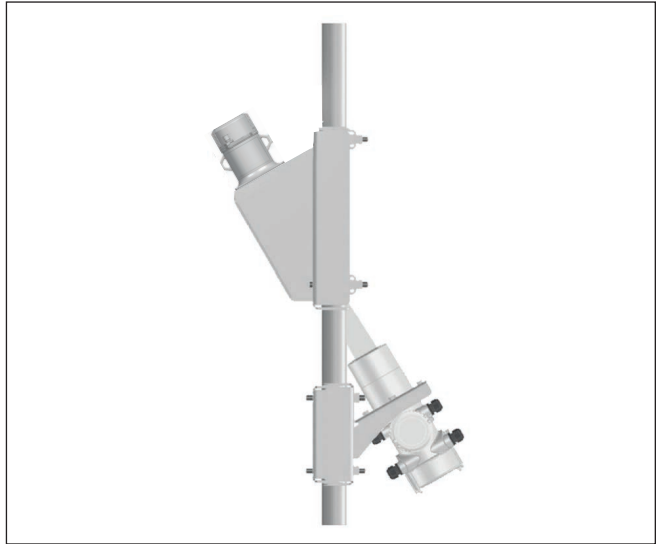
If there are gaps or empty spaces around the installation, provide protective fences or grids to keep hands away from the dangerous area. Such areas must be marked accordingly.

The ideal measurement setup for density measurement is installation on a vertical pipeline. The pipe diameter can be 50 ... 100 mm (1.97 ... 3.94 in). Flow direction should be from bottom to top.

Mounting brackets, angled attachments as well as mounting clamps are available for mounting.

**Vertical pipeline, 30° inclined, diameter 50 ... 100 mm (1.97 ... 3.94 in)**

For pipeline diameters 50 ... 100 mm (1.97 ... 3.94 in), a diagonal radiation path is recommended. The distance of the beam through the medium is thus longer and an improved measuring effect is achieved. For this, the optional lead shielding for the detector is recommended in order to avoid influence from secondary radiation sources.



*Fig. 15: 30° measurement setup on a pipeline with diameter 50 ... 100 mm (1.97 ... 3.94 in)*

**Vertical pipeline, diameter 50 ... 420 mm (1.97 ... 16.54 in)**

For pipeline diameters 50 ... 420 mm (1.97 ... 16.54 in), a straight radiation path is possible. The radiometric sensor can be mounted either horizontally or vertically.



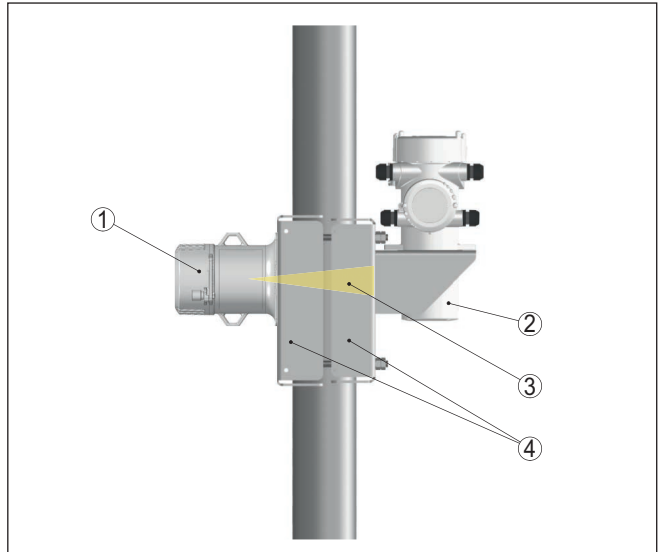


Fig. 16: Measurement setup on a pipeline with a diameter of 50 ... 420 mm (1.97 ... 16.54 in), detector mounting vertical

- 1 Source holder (VEGASOURCE)
- 2 Radiometric sensor (MINITRAC)
- 3 Radiated area
- 4 Mounting bracket

#### **Avoiding stray radiation - Vertical pipeline, diameter 50 ... 420 mm (1.97 ... 16.54 in)**

When mounting the radiometric sensor horizontally, the optional lead shielding is recommended in order to avoid influence from secondary radiation sources.

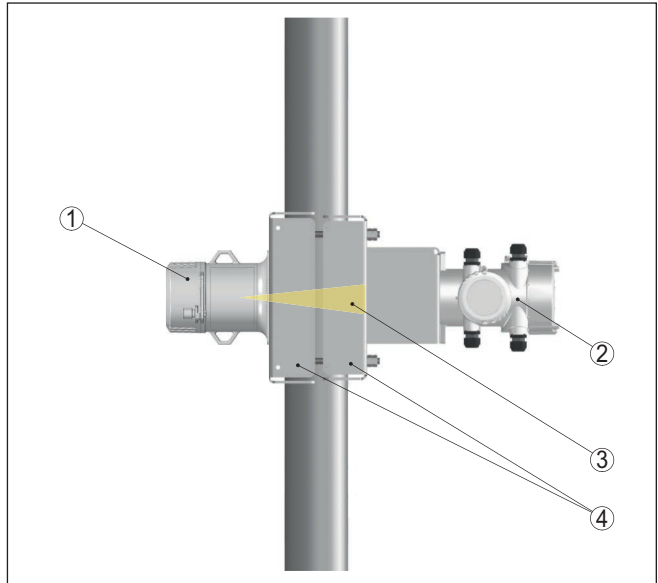


Fig. 17: Measurement setup on a pipeline with a diameter of 50 ... 420 mm (1.97 ... 16.54 in), detector mounting horizontal

- 1 Source holder (VEGASOURCE)
- 2 Radiometric sensor (MINITRAC)
- 3 Radiated area
- 4 Mounting bracket

### Horizontal pipeline

On a horizontal pipeline, the radiation should be directed horizontally to avoid interference from air pockets.

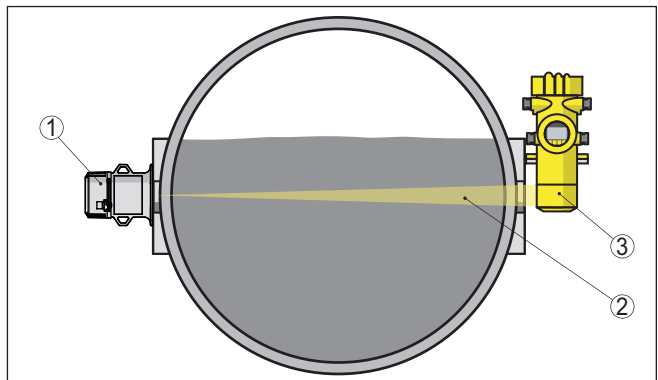


Fig. 18: Measurement setup on a horizontal pipeline

- 1 Source holder (VEGASOURCE)
- 2 Radiated area
- 3 Detector (MINITRAC)

**Screw locking device**

The source holder must be integrated in the potential equalization of the system.

To ensure a good electrical contact between the source holder and the mounting bracket, the lock washers must be used according to the following illustration.

Use the prescribed torque for the mounting screws. Make sure that the screws have electrical contact to the potential equalization.

Material	Strength class	Torque	Friction coefficient
Stainless steel	70	50 ... 140 Nm	1.4
Steel	8.8	50 ... 140 Nm	1.4

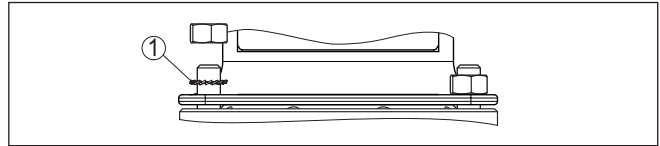


Fig. 19: Lock washers (customer side) as screw locking device and conductive connection to potential equalization

1 Lock washers (2 pieces)

**Cover (optional)**

To protect the switching mechanism of the VEGASOURCE 81 from dirt or contamination, a metallic protective cap is available.

This also allows the padlock to be permanently protected from dirt, moisture and corrosion.

The protective cap can only be used on the devices with manual switchover.

1. Put on protective cap  
Turn the protective cap 180° if it does not fit correctly.
2. Turn the protective cap clockwise until the straps are below the fastening screws.
3. Tighten the fixing screws manually

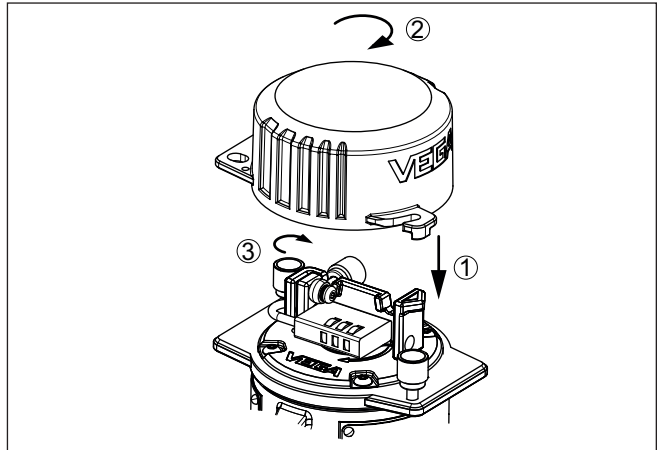


Fig. 20: Putting on the protective cap

- 1 Put on protective cap
- 2 Turn the straps of the protective cap under the fastening screws
- 3 Tighten fixing screws

The switching status of the source holder can also be seen when the protective cap is in place.

Due to the special design, the lid can only be put on in such a way that the visible indication plate on the source holder shows the current switching status.

## Installation control

### Measurement of the local dose rate

After mounting, i.e. as soon as the radioactive emitter is mounted in the source holder, the local dose rate in the area of the source holder and the detector must be measured in  $\mu\text{Sv/h}$ .



#### Caution:

Depending on the respective installation, radiation can also leak out of the beam exit channel due to scattering. Such stray radiation must be shielded off with additional lead or steel sheets. All control and off-limit areas must be rendered inaccessible and provided with warning signs.

### Behaviour with empty vessel



#### Caution:

After technically correct mounting, the control area around an empty vessel must be measured for radioactivity and if there is any, the area must be cordoned off and marked. Possible ways of access to the inside of the vessel must be reliably closed off and marked with a warning sign "Radioactive".

The responsible radiation safety officer can allow access after having checked the safety measures with switched-off source holder.

If work must be carried out in and on the vessel, it is absolutely necessary to switch off the radiation on the source holder.

## 5 Installation - Special equipment

### 5.1 Version B: Connection - Pneumatic switchover

#### 5.1.1 Connection of the ON/OFF position switches

These instructions apply to source holders VEGASOURCE 81 Versions B with pneumatic switchover.

The ON/OFF position switches signal the switching status of the source holder. We recommend connecting ON/OFF position switches. They give reliable feedback, indicating if the switchover has really reacted to the pneumatic switching impulse.

#### Safety instructions

Always keep in mind the following safety instructions:

- Connect only in the complete absence of line voltage
- If overvoltage surges are expected, overvoltage arresters should be installed

#### Potential equalisation

The ON/OFF position switches are already mounting and connected in the terminal housing to the terminals.

Connect the ON/OFF position switches according to the following diagrams. Take note of the general installation regulations. As a rule, connect VEGASOURCE 81 to vessel ground (PA), or in case of plastic vessels, to the next ground potential.

The data for power supply are specified in chapter " *Technical data*".

#### Connection cable

The instrument is connected with standard two-wire cable without shielding.

Use cable with round cross-section. A cable outer diameter of 5 ... 10 mm (0.2 ... 0.39 in) ensures the seal effect of the cable gland. If you are using cable with a different diameter or cross-section, exchange the seal or use a suitable cable gland.

#### Electrical connection

Connect the ON/OFF position switches as shown in the figure below.

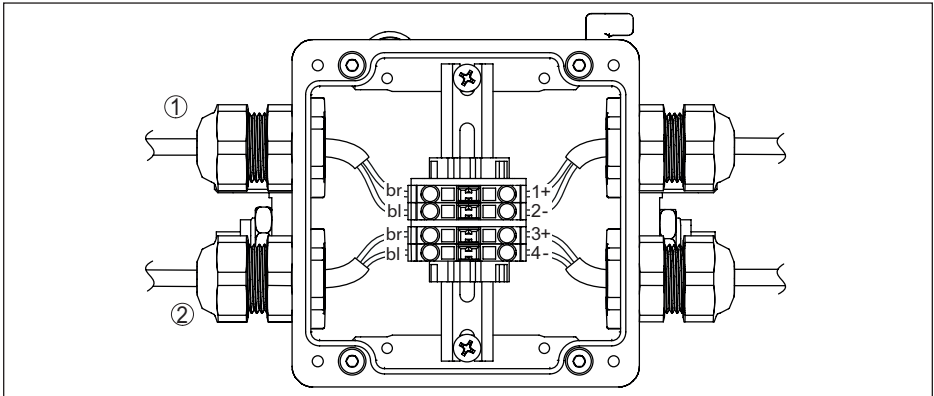


Fig. 21: Connection terminal housing of the ON/OFF position switch

- 1 ON/OFF position switch for switch position EIN - ON (terminals 1 and 2)
- 2 ON/OFF position switch for switch position AUS - OFF (terminals 3 and 4)

### Switching amplifier

For signal processing you need a NAMUR switching amplifier. We recommend the double channel switching amplifier VEGATOR 112.

#### 5.1.2 Compressed air connection

These instructions apply to source holders VEGASOURCE 81 Versions B with pneumatic switchover.



#### Note:

The pneumatic switchover may only be put into operation after the source holder is mounted.

### Connection of the pneumatic lines

The compressed air line is connected to the free  $\frac{3}{4}$ " thread (7).

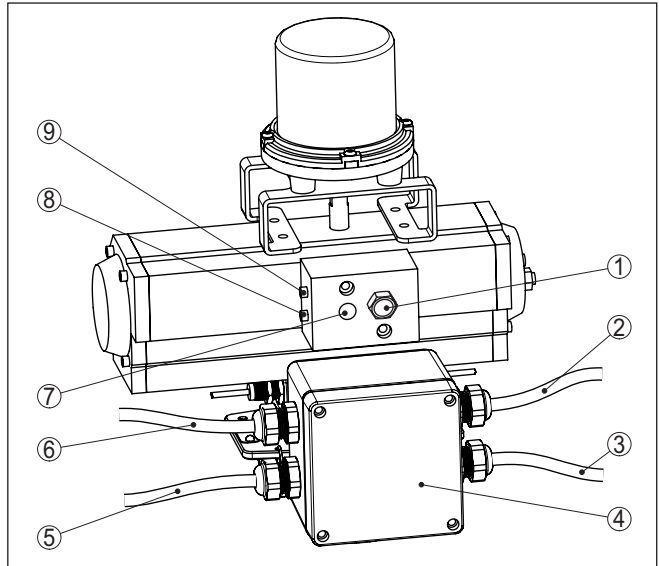


Fig. 22: Connection of the pneumatic lines on VEGASOURCE 81 - version B

- 1 Ventilation filter/Sound absorber
- 2 Voltage supply
- 3 Voltage supply
- 4 Terminal housing for connection of the ON/OFF position switches
- 5 ON/OFF position switch for switch position AUS - OFF (terminals 3 and 4)
- 6 ON/OFF position switch for switch position EIN - ON (terminals 1 and 2)
- 7 3/4" thread for connection of the compressed air
- 8 Adjusting screw - switching speed switch-on operation
- 9 Adjusting screw - switching speed switch-off operation

Use an electrical switching valve in the pneumatic line (e.g. Festo CPE). With this, you can switch off the air supply.

Optionally you can install an additional hand-operated switching valve (e.g. Festo VHEM) in the pneumatic line. In emergencies you can then interrupt the pneumatic air supply on site and switch off the source holder. Mount this hand-operated switching valve in a safe position outside the radiated area.

## 5.2 Version X, C, B: Connection - Manual switchover

### 5.2.1 Connection of the ON/OFF position switches

These instructions apply to source holder VEGASOURCE 81 version X, C with electrical ON/OFF position switches.

The ON/OFF position switches signal the switching position of the source holder. We recommend connecting the ON/OFF position switches. They provide reliable feedback on the condition of the source holder.

**Safety instructions**

Always keep in mind the following safety instructions:

- Connect only in the complete absence of line voltage
- If overvoltage surges are expected, overvoltage arresters should be installed
- Only for use in non-hazardous areas

**Connection cable**

The instrument is connected with standard two-wire cable without shielding.

Use cable with round cross-section. A cable outer diameter of 5 ... 10 mm (0.2 ... 0.39 in) ensures the seal effect of the cable gland. If you are using cable with a different diameter or cross-section, exchange the seal or use a suitable cable gland.

**Electrical connection**

The ON/OFF position switches are already mounting and connected in the terminal housing to the terminals.

Connect the ON/OFF position switches according to the following diagrams. Take note of the general installation regulations. As a rule, connect VEGASOURCE 81 to vessel ground (PA), or in case of plastic vessels, to the next ground potential.

The data for power supply are specified in chapter " *Technical data*".

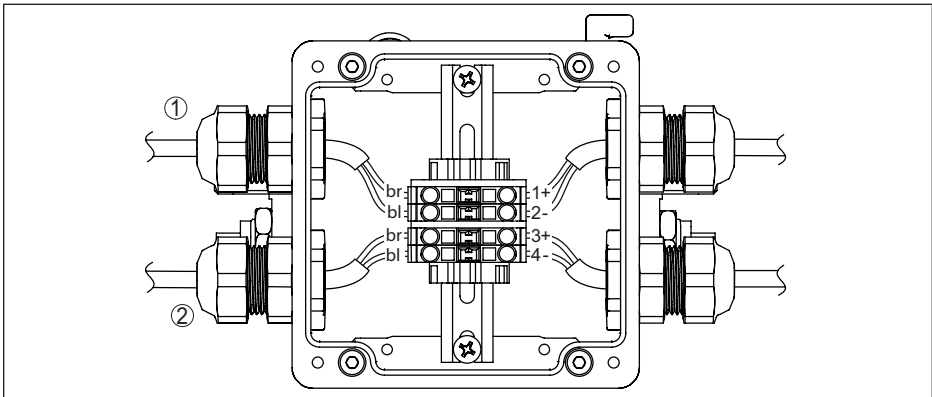


Fig. 23: Connection terminal housing of the ON/OFF position switch

- 1 ON/OFF position switch for switch position EIN - ON (terminals 1 and 2)
- 2 ON/OFF position switch for switch position AUS - OFF (terminals 3 and 4)

**Switching amplifier**

For signal processing you need a NAMUR switching amplifier. We recommend the double channel switching amplifier VEGATOR 112.



## 6 Setup

### 6.1 Adjustment - Version X, C - Manual switchover



**Warning:**

Before switching on the radiation, make sure that no persons are inside the radiated areas (also not inside the vessel).

Radiation must only be switched on by trained personnel.

#### Switching the radiation on

The figures in brackets refer to the following illustration.

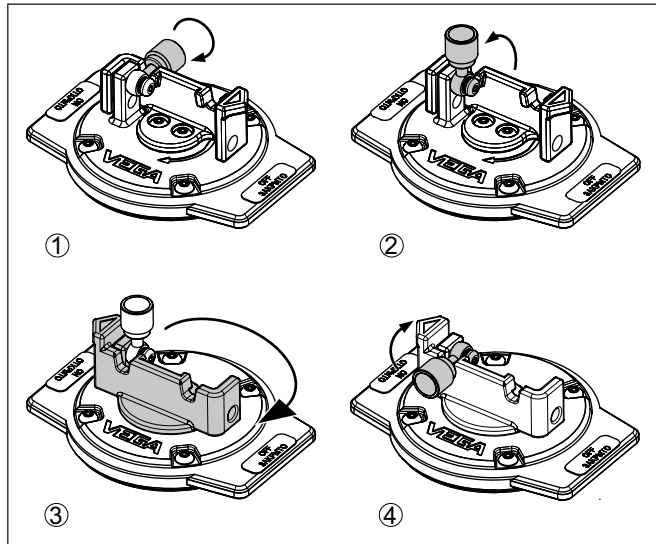


Fig. 24: Switching the radiation on - VEGASOURCE 81 version X, C

- 1 Loosen safety screw
- 2 Fold up the safety screw
- 3 Turn stirrup by 180°
- 4 Fold up and tighten safety screw.

1. Initial situation: Source holder is in position OFF
2. Open and remove padlock



**Note:**

The combination lock can be opened with the number combination **000** on delivery.

We recommend changing the number combination to a personal number sequence. Make a note of the number combination and keep it in a safe place.

3. Loosen safety screw (1)
4. Fold up the safety screw (2)
5. Turn the stirrup clockwise by 180° (3)

6. Fold up and tighten safety screw (4)
7. Fasten the padlock in the specified position on the stirrup until it is required again
8. Put on the protective cap (optional), if available

**Note:**

The current switching status is indicated by the narrow-shaped arrow of the stirrup. The arrow of the stirrup points in the direction of the sign EIN - ON.

**Indication of the switching status****Radiation ON**

The marking arrow of the stirrup points to EIN - ON.

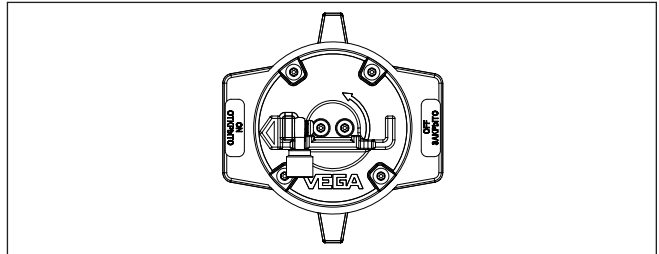


Fig. 25: Radiation ON - VEGASOURCE 81 Version X, C

**Radiation OFF**

The marking arrow of the stirrup points to AUS - OFF

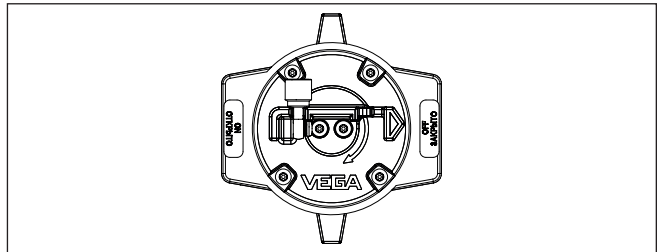


Fig. 26: Radiation OFF - VEGASOURCE 81 Version X, C

**Switching the radiation off**

Switching off the radiation is analogous to this procedure. To switch off the radiation, turn the stirrup 180° anticlockwise.

**Position indication with protective cap**

If a protective cap (optional) is fitted, then the protective cap cannot be placed on the source holder in any position.

The strap of the protective cap only shows the respective switching position.

If the protective cap cannot be put on in a certain position, turn the protective cap 180°.

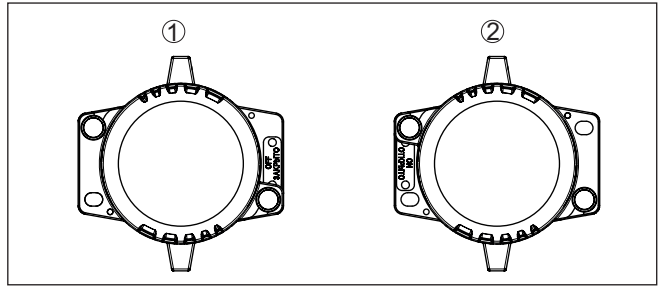


Fig. 27: Position indication with protective cap - VEGASOURCE 81 Version X, C

- 1 Radiation OFF
- 2 Radiation ON

**Version X**

With version X, the protective cap can be secured with a padlock in OFF position

**Version C**

With version C, the protective cap can be secured with a padlock in OFF or ON position

**6.2 Adjustment - Version B - Pneumatic switchover**



**Warning:**

Before switching on the radiation, make sure that no persons are inside the radiated areas (also not inside the vessel).

Radiation must only be switched on by trained personnel.



**Note:**

The pneumatic actuator must not be used under ambient conditions that can cause corrosion in and on the pneumatic actuator.

**Switching the radiation on**

Initial situation: Pneumatic switchover is connected correctly. You can find the required pressure values under " *Technical data*" in the annex.

The source holder is in AUS-OFF position.

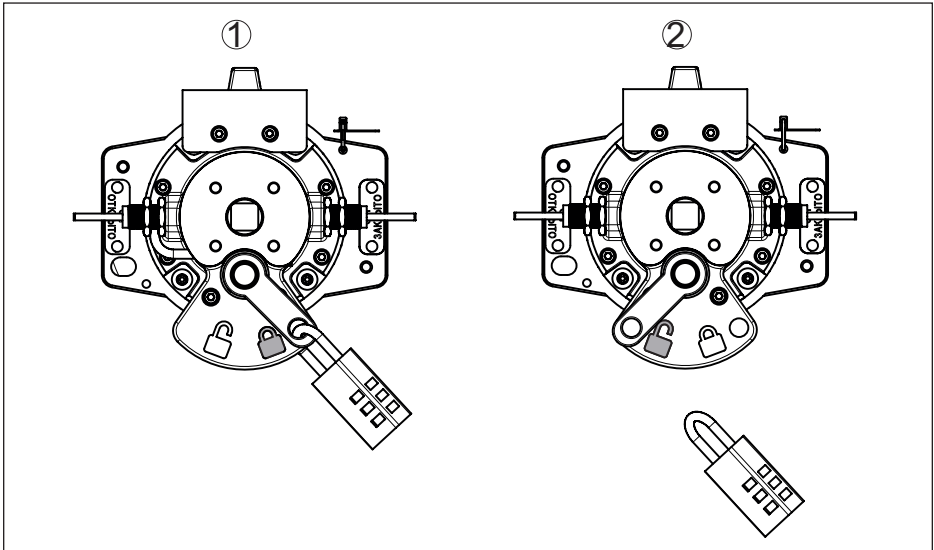


Fig. 28: Indication of the switching status with VEGASOURCE 81 - Version B - Pneumatic switchover

- 1 Switching status AUS/OFF (symbol: closed padlock)
- 2 Switching status EIN/ON (symbol: open padlock)

- Remove padlock



**Note:**

The combination lock can be opened with the number combination **000** on delivery.

We recommend changing the number combination to a personal number sequence. Make a note of the number combination and keep it in a safe place.



**Note:**

The padlock must only be fitted again for inspection purposes (OFF position) and should be stored in a suitable place or outside the plant until then.

Do not hang the padlock during operation in the opening of the OFF switching position, because otherwise the pneumatic switchover cannot switch to the end position.

- The pneumatic switchover can now be operated



**Warning:**

Do not touch the operating lever when the drive is pressurized.

**Indication of the switching status**

**Radiation ON**

The operating lever is at the switching symbol EIN/ON (open padlock)

**Radiation OFF**

The operating lever is at the switching symbol AUS/OFF (closed padlock)

**Switching the radiation off**

Analogue to this procedure, the radiation is switched off via the compressed air controls.

When the pneumatic switchover is unpressurized, the VEGASOURCE 81 switches back automatically to switch position OFF.

## 7 Maintenance and fault rectification

### 7.1 Cleaning

Clean the instrument in regular intervals. Note the following points:

- Clean the instrument of substances that can impair the safety function
- Remove deposits of medium or other substances that could impair or prevent the source holder from switching over
- Take care that the lettering remains legible
- Clean the adhesive labels and the connection box (version with pneumatic switchover) only with water (e.g. with slightly damp rag)
- Avoid creating electrostatic charges on the instrument. Never rub with dry cloth when cleaning



#### Warning:

Take note of all safety instructions in this operating instructions manual when cleaning.

### 7.2 Maintenance

If the device is used properly, no special maintenance is required in normal operation.

#### Inspection

Along with the regular inspections of the system, we recommend the following checks:

- Visual check for corrosion on the housing, the weld joints, the outer parts of the source insert, the lock, the lock washers
- Test of the mobility of the source insert (switching on and off function)
- Assessment of the legibility of all labels and warning signs
- Stability and firm attachment of the source holder



#### Caution:

If you are not sure of the proper functioning or condition of the instrument, contact immediately the responsible radiation safety officer for further instructions.



#### Caution:

Repairs or maintenance work beyond the scope of the usual inspection may only be carried out by the manufacturer, the supplier or specially authorized persons.

#### Measures in case of corrosion

If there are clear traces of corrosion on the source container, the local dose rate ( $\mu\text{Sv/h}$ ) must be measured in the surroundings. If the rate is clearly above the values during normal operation, then the area must be cordoned off and the responsible radiation safety officer informed. Corroded instruments and lock washers must be exchanged as soon as possible.



#### Warning:

Source containers with corroded locking device or source insert must be replaced immediately.

### 7.3 Test of the switchover

Test the function of the switchover on the source holder at regular intervals.

#### Function test

#### Source holder with manual switchover

1. Loosen the locking screw (version X and C) and remove the lock (if present) as described in chapter " *Setup*".
2. Move the source insert as described in chapter " *Setup*" several times from the ON to the OFF position and vice versa. The source insert should be easily movable and must have no traces of corrosion in the visible area.

If the source insert cannot be moved from ON to OFF position, follow the instructions in paragraph " *What to do in case of emergency*".

If it is hard to move the source insert or if there are other signs of a malfunction, the source insert must be locked in position OFF and the responsible radiation safety officer informed.

In case of corrosion: Follow the instructions in chapter " *Maintenance/Measures in case of corrosion*".

#### Source holder with pneumatic switchover

1. Remove the padlock (see chapter " *Setup*".)
2. Switch the source insert by means of compressed air from the position OFF to position ON. The source insert should move without interruption to position "ON".



#### Caution:

Do not grasp into the display window of the indication plate while the pneumatic actuator is switching over.

3. Reduce the pressure to below 2.5 bar (36 psi). The source insert must move back to position OFF.

If the source insert does not move smoothly or shows signs of a possible malfunction, the source insert must be locked in position OFF and the responsible radiation safety officer informed.

If the source insert cannot be moved from ON to OFF position, follow the instructions in paragraph " *What to do in case of emergency*".

In case of corrosion: Follow the instructions in chapter " *Maintenance/Measures in case of corrosion*".

#### Measure the local dose rate

Measure the local dose rate of the source holder at regular intervals and document the measurement results.

The measurement data allow conclusions to be drawn about leaks and possible changes in radiation power.

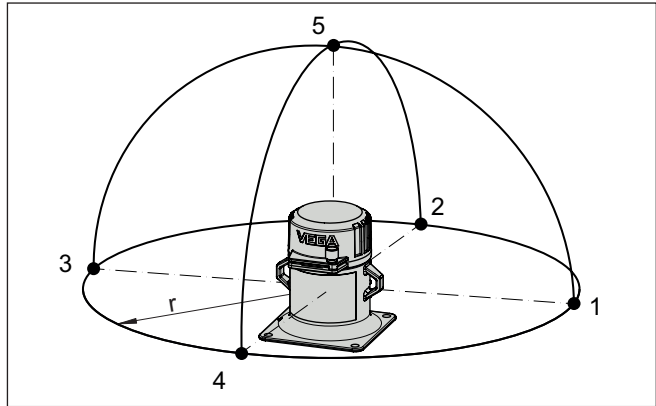


Fig. 29: Measuring points for the measurement of the local dose rate

*r* Distance to the source holder  
 1-5 Measuring points

Always use the same distance (*r*) from the source holder to the measuring points.

Document the measurement results.

<b>Date of the measurement</b>	dd/mm/yyyy	
<b>Time of the measurement</b>	hh:mm	
<b>Measuring distance r</b>		
<b>Value of the last measurement (µSv)</b>	<b>Measuring point</b>	<b>Measured value (µSv)</b>
	1	
	2	
	3	
	4	
	5	

Tab. 4: Measurement protocol for the local dose rate

### 7.4 Tightness test

The tightness of the source capsule must be checked at regular intervals. The frequency of the tightness test (wipe test) must correspond to the specifications of the authorities or the handling permit.



**Note:**

A tightness test is not only required as a regular test but must be carried out after each incident that could impair the shielding of the source. In such case, the tightness test must be prescribed by the responsible radiation safety officer under consideration of the applicable regulations and comprise, apart from the source holder itself, all other affected parts of the process vessel.

The tightness test must be carried out immediately after an incident.



The tightness test described below is specified:

- For regular testing during operation
- For when the source holder is stored for longer periods
- For when the source container is put into operation after a longer storage period

**Sequence of the tightness test**

The tightness test (also wipe test) must be carried out by an authorized person or organisation with a wipe test kit provided by an authorised organisation. Wipe test kits must be used according to the instructions of the manufacturer. Reports on the test results must be kept.

If no other instructions are specified, carry out the tightness test as follows:

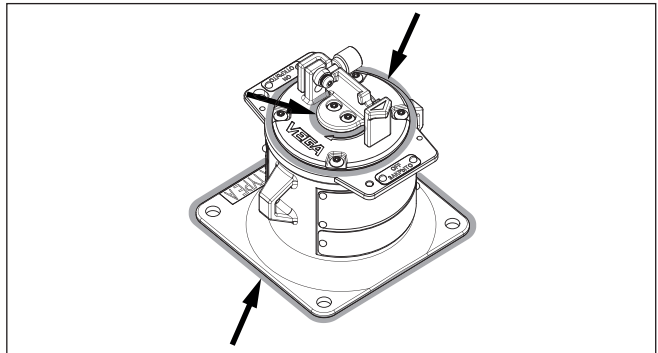


Fig. 30: Wiping surfaces for the tightness test - Version X, C

1. Take wipe samples from at least the following locations:

**Version X, C - Manual changeover:**

Along the groove between the source insert and the housing

**Version B - Pneumatic switching:**

Along the thread of the ON-OFF position switches and the three ring-shaped grooves on the cylinder housing

With manually operated source holders, the tightness test can be carried out when the source holder is in position " ON" or " OFF".

With source holders with pneumatic switchover, the switch must be fixed with the lock in position OFF before starting the tightness test.

2. Have the samples analyzed by an authorized organisation. A radiation source is judged to be leaky if more than 185 Bq (5 nCi) are detected in the sample of the tightness test.



**Note:**

The specified value is valid for the USA. National regulations of other countries may prescribe other limit values.

If the source is possibly leaky, carry out the following steps:

- Inform the radiation safety officer

- Take suitable measures to avoid contamination of the environment by the source. Secure the source.
- Inform the responsible authority that a leaky source was detected.

## 7.5 Rectify faults

### Reaction when malfunction occurs

The operator of the system is responsible for taking suitable measures to rectify faults.

The radiation safety officer is responsible for all matters having to do with radiation protection, especially ensuring that the radiation protection ordinance is observed, and can prescribe appropriate measures if problems or malfunctions occur.

### 24 hour service hotline

For help with urgent technical problems, call the VEGA service hotline number **+49 1805 858550**.

The hotline is manned 7 days a week round-the-clock. Since we offer this service worldwide, the support is only available in the English language. The service is free, only standard call charges are incurred.

#### Telephone hotline USA

A special telephone hotline is available for the USA:

**1-800-367-5383**

Outside normal working hours, please leave a message on the answering machine.

The engineer on duty will call you back.

## 7.6 What to do in case of emergency

### Immediate measures

The emergency procedure described here must be applied immediately in the interest of the safety of the staff, in order to secure an area in which an unshielded radiation source exists or is assumed to exist.

An emergency situation exists if a radioactive source is no longer inside the source holder, if the source holder cannot be switched to "OFF" position or if an increased local dose rate has been detected in the proximity of the source holder.

The emergency procedure protects the affected persons until the responsible radiation safety officer arrives and prescribes further measures.

The person charged with the supervision of the radiation source (i.e. the person stipulated and authorized by the plant operator) is responsible for implementing this procedure.

- Determine the dangerous area on site by measuring the local dose rate in  $\mu\text{Sv/h}$
- Generously cordon off the affected area with yellow marking tape or rope and mark the area with the international radiation warning symbol

### The source holder cannot be brought into position "OFF"

In this case, the source holder must be dismantled. The radiation safety officer has to prescribe dismantling.

Direct the exit channel towards a thick wall (e.g. of steel or lead) or mount a blind flange or blind plate in front of the exit channel.

Persons may only stand behind the source holder. Never stay in front of the radiation exit channel (flange or mounting surface of VEGASOURCE 81).

The transport lug on the housing facilitates safe handling.

### **The source is no longer in the source holder**

In this case, the source must be kept secure in another place or an additional shielding must be provided.

The radiation source may only be transported with tongs or a gripper as well shielded as possible and must be kept as far away from the body as possible.

The time required for transport should be estimated and optimized in advance through tests and training.

### **Informing the responsible authority**

- Pass all necessary information immediately on to the responsible local and national authorities
- After a thorough investigation of the situation on site, the responsible radiation safety officer must agree, together with the local authorities, on appropriate corrective measures for the existing problem



#### **Note:**

National regulations can prescribe deviating procedures and notification requirements.

## 8 Dismount

### 8.1 Dismounting steps

As soon as a radiometric measuring system is no longer required, the radiation must be switched off on the source holder (position "OFF").

The source holder must be dismantled under consideration of all relevant regulations and stored in a lockable room without through traffic.

Inform the responsible authorities of this measure.

The access area for this storage room must be measured ( $\mu\text{Sv/h}$ ) and marked. The radiation safety officer is responsible for implementing anti-theft measures.

Care must be taken that the source in the source holder is not scrapped together with the rest of the system.

Arrange for a return shipment as soon as possible.



#### Caution:

Dismounting may only be carried out by authorized, qualified personnel who are monitored for radiation exposure according to local laws or the handling permit. Take note of the specifications in the existing handling permit.

All local conditions must be taken into account.

All work must be carried out in the shortest possible time and at the largest possible distance (shielding). Also, the endangering of other persons must be avoided through suitable measures (e.g. safety fence, etc.).

The source holder may only be dismantled when the radiation is switched off. Make sure that the switch position OFF is secured by a lock.

Note chapters "*Mounting*" and "*Setup*" for dismantling and carry out the described steps in reverse order.

### 8.2 Return

#### Federal Republic of Germany

Contact the responsible sales engineer to arrange for a return, to check on the possibility of reuse or disposal.

#### Other countries

Contact the responsible sales partner to arrange for a return, to check on the possibility of reuse or disposal.

Also inform the relevant authority.

If a return in your country is not possible, contact the respective sales partner to decide on further action.

The destination airport for a possible return shipment is Frankfurt a. M., Germany.

**Note:**

Take pictures of the condition of the source holder for documentation purposes. This is recommended if the source holder or parts of it are corroded or damaged.

**Conditions for a return shipment**

The following conditions must be fulfilled before a return shipment:

- An inspection certificate not older than six months confirming the tightness of the source (wipe test certificate) must be available for a return.
- Keep specifications on the serial number of the source capsule, the type of source and the activity or type of source ready. These data are available in the documents supplied along with the source. Enclose a copy of the manufacturer's certificate of the source.
- No significant traces of corrosion on the source holder which could endanger the function or safe storage of the source.
- No serious damage due to fire or mechanical influences (deformations, dents, etc.)
- The switching mechanism of the source holder functions perfectly. Set the source holder to "OFF" and secure this position with a lock.
- The return shipment must be made in a type-tested type A packaging in accordance with IATA rules. The source holder VEGASOURCE 81 is suitable for return shipment. In case of doubt, your sales partner will provide you with suitable transport packaging.
- Label the package in accordance with the applicable IATA regulations and probable deviating national regulations. If necessary, carry out further control measurements in accordance with national and international regulations.

In case of doubt, talk to your relevant authority or an appropriately competent institution.

## 9 Supplement

### 9.1 Technical data

#### General data

Material 316L corresponds to 1.4404 or 1.4435

Instrument weight

- With manual switching approx. 10.7 kg (23.5 lbs)
- With pneumatic switching max. 19.5 kg (43 lbs)
- Protective cap approx. 0.9 kg (2 lbs)

Process fitting See figure under "Dimensions"

Torque - Mounting screws

Material	Strength class	Torque	Friction coefficient
Stainless steel	7	50 ... 140 Nm	
Steel	8.8	50 ... 140 Nm	> 1.4

Beam exit channel

- Position Centre of the mounting surface  
It has the same direction as the transport lugs.  
The position of the exit channel is marked with an arrow on the mounting surface.
- Exit angle 5°, 30°, 40° ( $\pm 20^\circ$ ), 45°, 60° ( $\pm 30^\circ$ )  
Details see illustration exit angle under "Dimensions" in the annex
- Width 10°
- Attenuation of the useful beam approx. 0.3 half value layers ( $F_s = 1.2$ )

Materials

- Process fitting - Mounting surface 316L
- Outer housing 316L or steel (1.0619) with PUR textured paint RAL 1018
- Tightness of the source insert Silicone
- Shielding material Lead
- Source holder 316L
- Manual switching 316L
- Pneumatic switching 316L

Materials - Device version X, C - Manual switchover

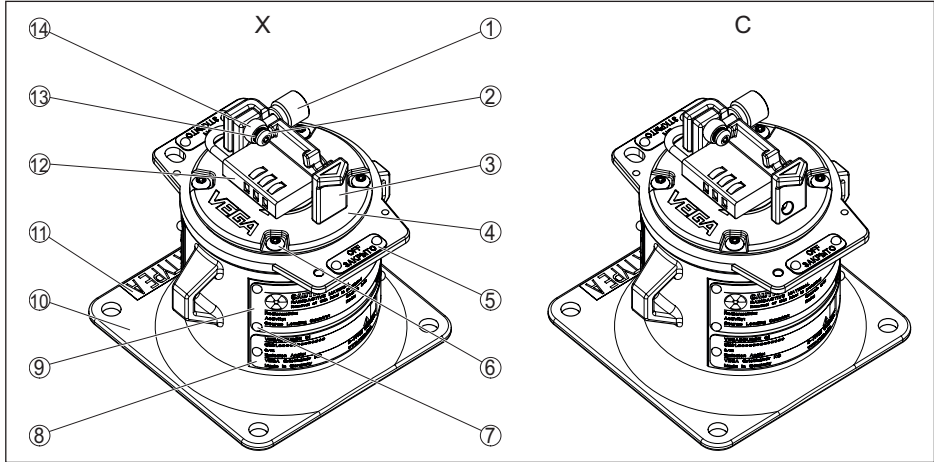


Fig. 31: Materials VEGASOURCE 81 - Version X, C

Position	Component	Material
1	Locking screw	316L
2	Collar screw	316L
3	Rotary handle	1.4408 (CF8M)
4	Closing plate	1.4408 (CF8M)
5	Label - ON/OFF	316L
6	Safety screw - Torx with pin	316L
7	Rivet	316L
8	Type label - Source holder	316L
9	Type label - Source	316L
10	Source holder	316L oder 1.0619
11	Label	Polyester
12	Padlock - Numerical code	Steel
13	Spring ring	1.4568 (17-7PH)
14	Eye-bolt	316L

### Materials - Device version X, C - Manual switchover with ON/OFF position switches

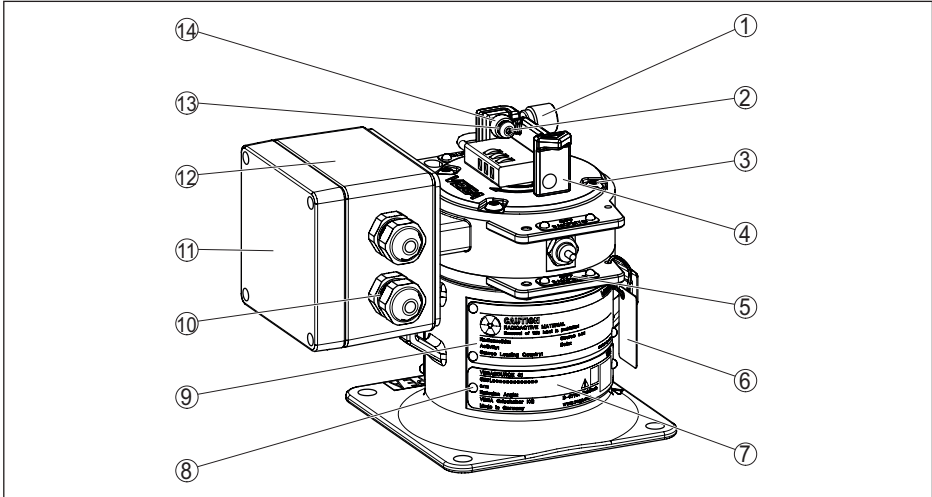


Fig. 32: Materials VEGASOURCE 81 - Version X, C - with ON/OFF position switches

Position	Component	Material
1	Locking screw	316L
2	Collar screw	316L
3	Safety screw - Torx with pin	316L
	Closing plate	1.4408 (CF8M)
4	Rotary handle	1.4408 (CF8M)
5	Label - ON/OFF	316L
6	Optional label	316L
7	Type label - Source holder	316L
8	Source holder	316L oder 1.0619
9	Rivet	316L
10	Type label - Source	316L
11	Cable gland	PA
12	ON/OFF position switch - Lid	Aluminium, powder-coated
13	ON/OFF position switch - Connection housing	Aluminium, powder-coated
14	Spring ring	1.4568 (17-7PH)
15	Eye-bolt	316L



**Materials - Device version X, C - Manual switchover with interlock switch**

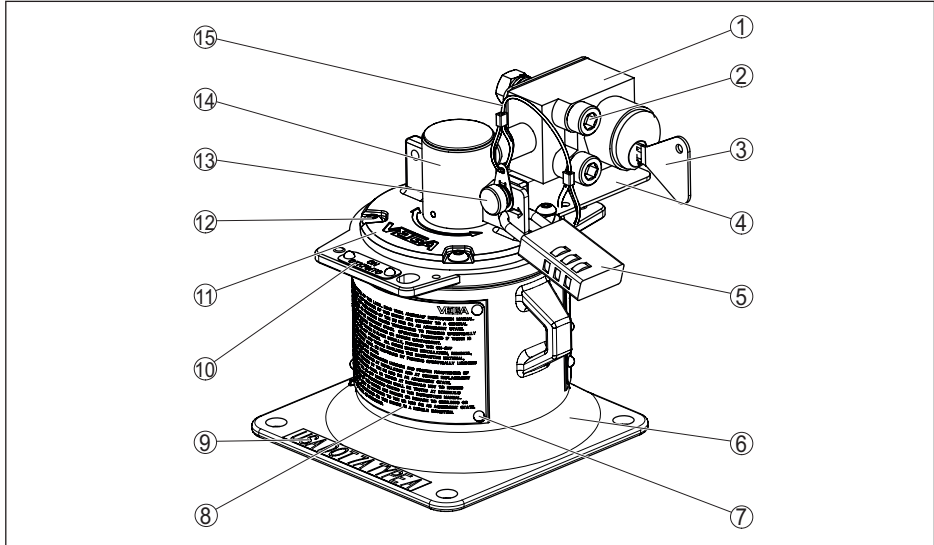


Fig. 33: Materials VEGASOURCE 81 - Version X, C - with Interlock switch

Position	Component	Material
1	Housing - Interlock switch	On site
2	Screw	On site
3	Key	On site
4	Mounting plate	316L
5	Padlock - Numerical code	Steel
6	Source holder	316L oder 1.0619
7	Rivet	316L
8	Information label	316L
9	Label	Polyester
10	Label - ON/OFF	316L
11	Closing plate	1.4408 (CF8M)
12	Safety screw - Torx with pin	316L
13	Retaining pin	316L
14	Housing	StSt
15	Holding rope	StSt

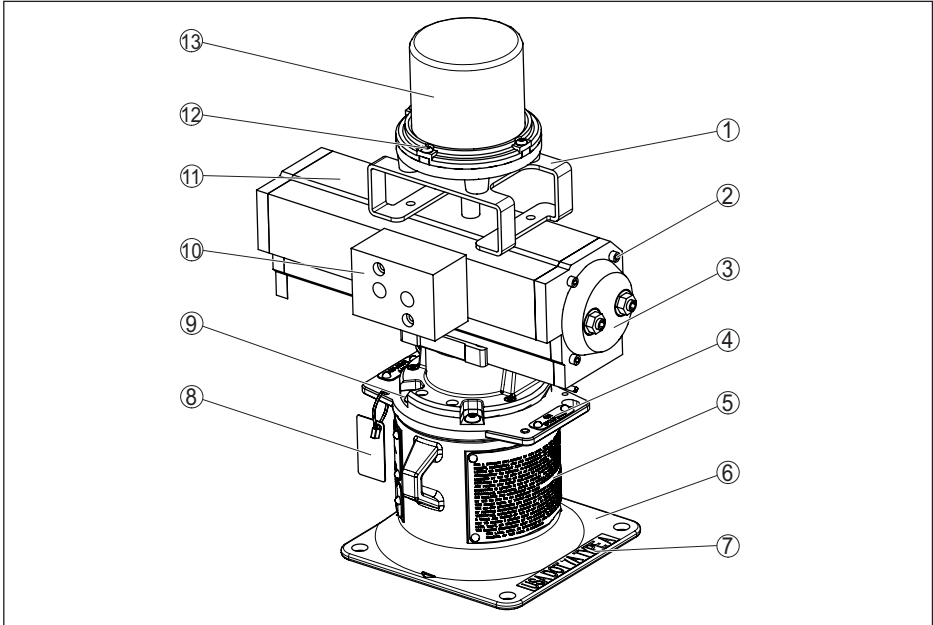
**Materials - Housing version B - Pneumatic switchover**

Fig. 34: Materials VEGASOURCE 81 - Version B

Position	Component	Material
1	Bracket switching indication	galvanized steel
2	Screws	316L
3	Cover	Aluminium 3.3206 (AW 6063)
4	Label - ON/OFF	316L
5	Information label	316L
6	Source holder	316L oder 1.0619
7	Label	Polyester
8	Optional label	316L
9	Safety screw - Torx with pin	316L
10	Connection block	Aluminium 3.3206 (AW 6063)
11	Housing - Pneumatic switching	Aluminium 3.3206 (AW 6063)
12	Screw	316L
13	Indication of the switching status	Plastic

**Materials - Device version B - Pneumatic switchover with ON/OFF position switches**

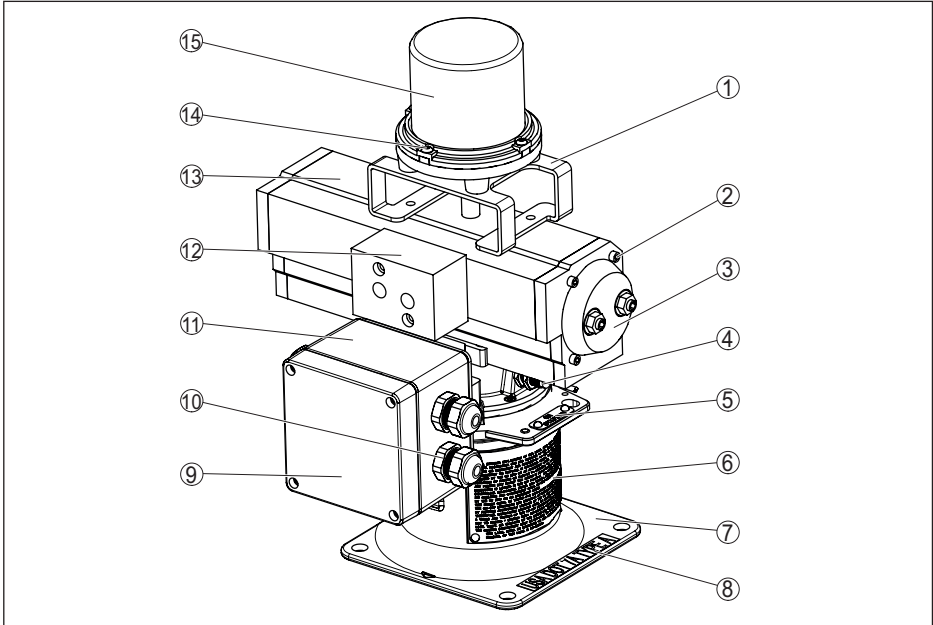


Fig. 35: Materials VEGASOURCE 81 - Version B - with ON/OFF position switches

Position	Component	Material
1	Bracket - Switching indication	galvanized steel
2	Screws	316L
3	Cover	Aluminium 3.3206 (AW 6063)
4	ON/OFF position switch	Plastic
5	Label - ON/OFF	316L
6	Information label	316L
7	Source holder	316L oder 1.0619
8	Label	Polyester
9	ON/OFF position switch - Lid	Aluminium, powder-coated
10	Cable gland	PA
11	ON/OFF position switch - Connection housing	Aluminium, powder-coated
12	Connection block	Aluminium 3.3206 (AW 6063)
13	Housing - Pneumatic switching	Aluminium 3.3206 (AW 6063)
14	Screw	316L
15	Indication of the switching status	Plastic

66075-EN-220701

---

**Pneumatic switching (optional)**


---

Pivoting range	180°
Compressed air connection	G $\frac{1}{8}$
Switching pressure	3.5 ... 6 bar (51 ... 87 psi)
Reset of the switching	by spring force
Compressed air conditioning	Class 3 acc. to ISO 8573-1, pressure dew point 10 K below operating temperature, particle size 40 $\mu$ m Notes for Europe: For compressed air (gas of group 2), the pneumatic actuator is excluded from the requirements of the Regulation on Pressure Equipment (PED) 97/23/EC based on Article 1, Clause 3.6 of the directive.
Connection data	
– Operating voltage	8 V
– Current consumption - Measuring plate not included	$\geq 3$ mA
– Current consumption - Measuring plate included	$\leq 1$ mA

---

**Source and vessel characteristics**


---

Number of half value layers of the source holder	
– Cs-137	4.9
Max. activity of the source	
– Cs-137	740 MBq (20 mCi)
Dose rate diagram	The isodistance curve indicates the local dose rate at a certain distance from the surface of the source container. The following isodistance curve applies to a Cs-137 source as an example. The isodistance curve refers to the switching position OFF.



Ambient temperature (flange temperature)

- VEGASOURCE 81 with manual switching      -50 ... +200 °C (-58 ... +392 °F)
- VEGASOURCE 81 with pneumatic switching      -20 ... +80 °C (-4 ... +176 °F)

Vibration resistance

DIN EN 60068-2-64 test Fh; 10 ... 2000 Hz; 5 g<sup>2</sup>/Hz

Flame resistance

- Temperature resistance      821 °C (1510 °F) for 30 min.
- Fire class      F according to IEC 62598

---

### Protective measures

---

Protection rating      IPx6 (NEMA Type 4)

## 9.2 Dimensions

### VEGASOURCE 81, Version X, C - Manual changeover

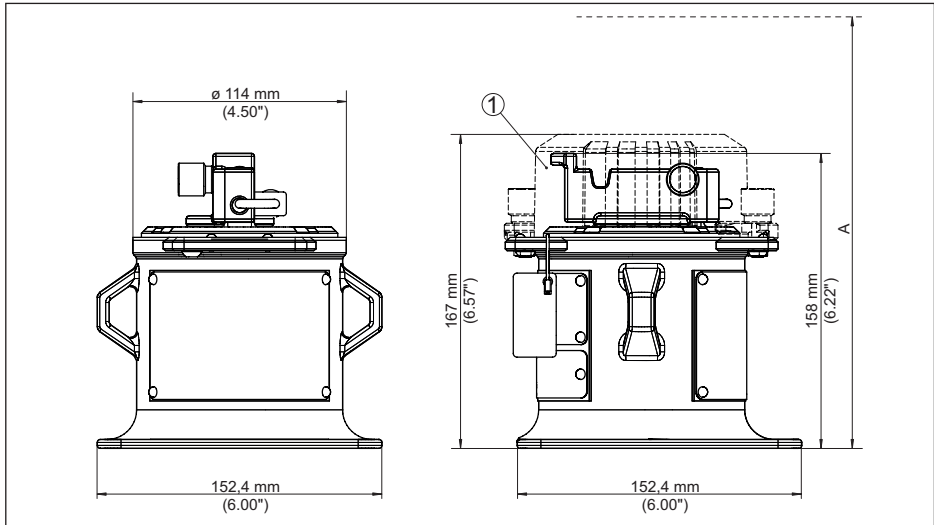


Fig. 37: Source holder VEGASOURCE 81, version X, C - Manual changeover

- 1 Cover (optional)
- A Free height for removal of the loading tube = 520 mm (20.5 in)

### Features

- Stirrup for manual switching on/off
- Padlock for securing the switch position OFF or ON/OFF
- Cover (optional)

**VEGASOURCE 81, version X, C - Manual switchover with ON/OFF position switches**

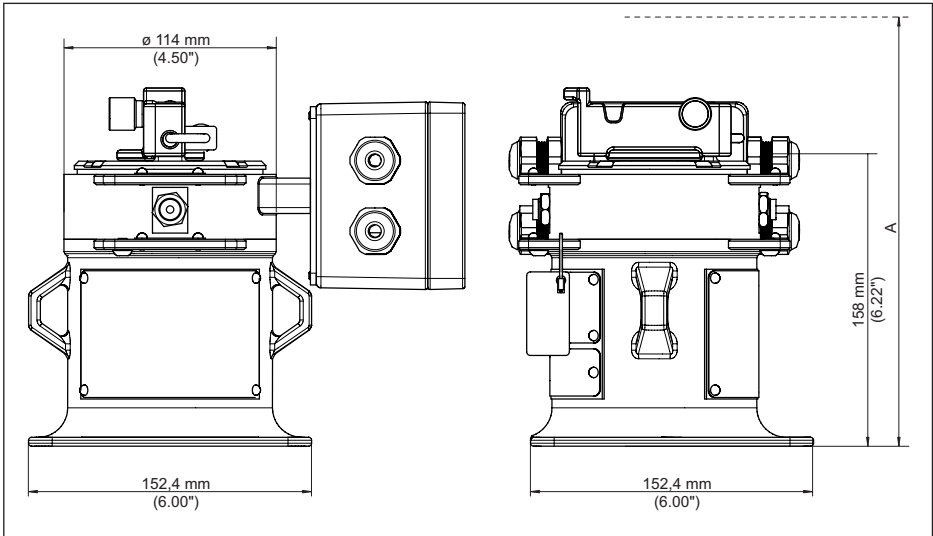


Fig. 38: Source holder VEGASOURCE 81, version X, C - Manual switchover with ON/OFF position switches

A Free height for removal of the loading tube = 520 mm (20.5 in)

**Features**

- ON/OFF position switch for signalling of the actual switching condition
- Stirrup for manual switching on/off
- Padlock for securing the switch position OFF or ON/OFF
- Cover (optional)

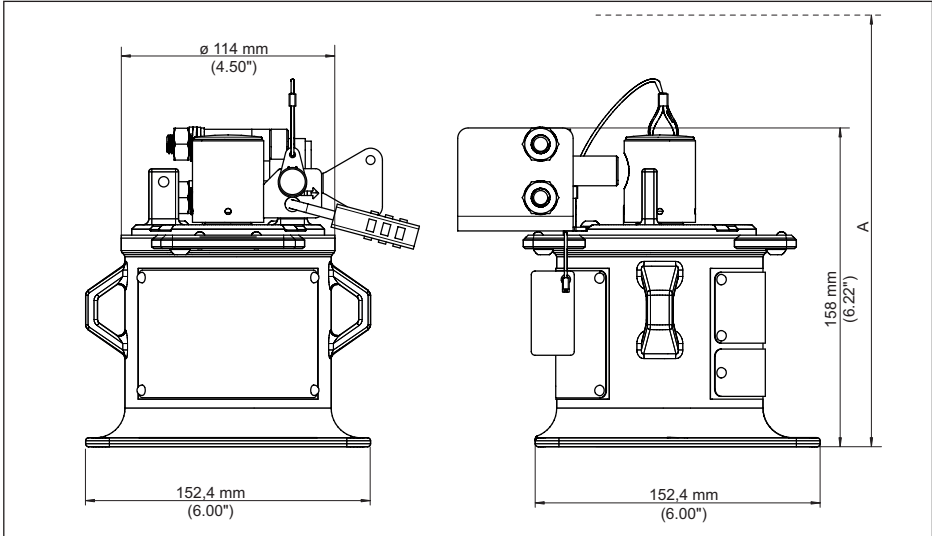
**VEGASOURCE 81, version X, C - Manual switchover with Interlock switch**

Fig. 39: Source holder VEGASOURCE 81, version X, C - Manual switchover with Interlock switch

A Free height for removal of the loading tube = 520 mm (20.5 in)

**Features**

- Interlock safety switch for access control with active source
- Stirrup for manual switching on/off
- Padlock for securing the switch position OFF or ON/OFF



**VEGASOURCE 81, Version B - Pneumatic switching**

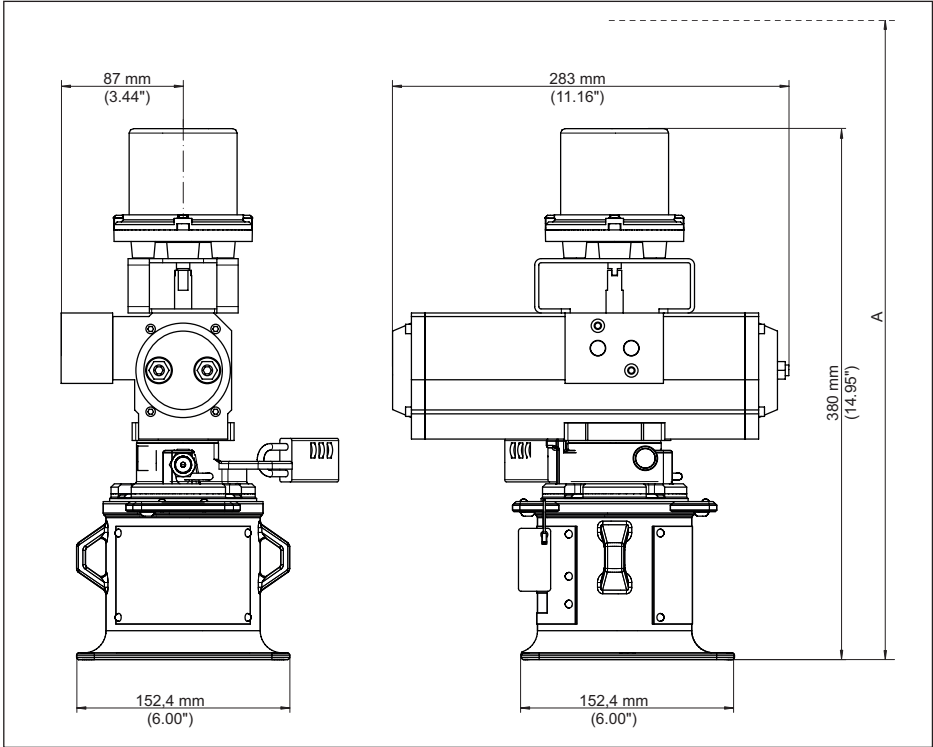


Fig. 40: Source holder VEGASOURCE 81, version B - Pneumatic switching

A Free height for removal of the loading tube = 770 mm (30.3 in)

**Features**

- Facility for pneumatic switchover
- Padlock for securing the switch position OFF

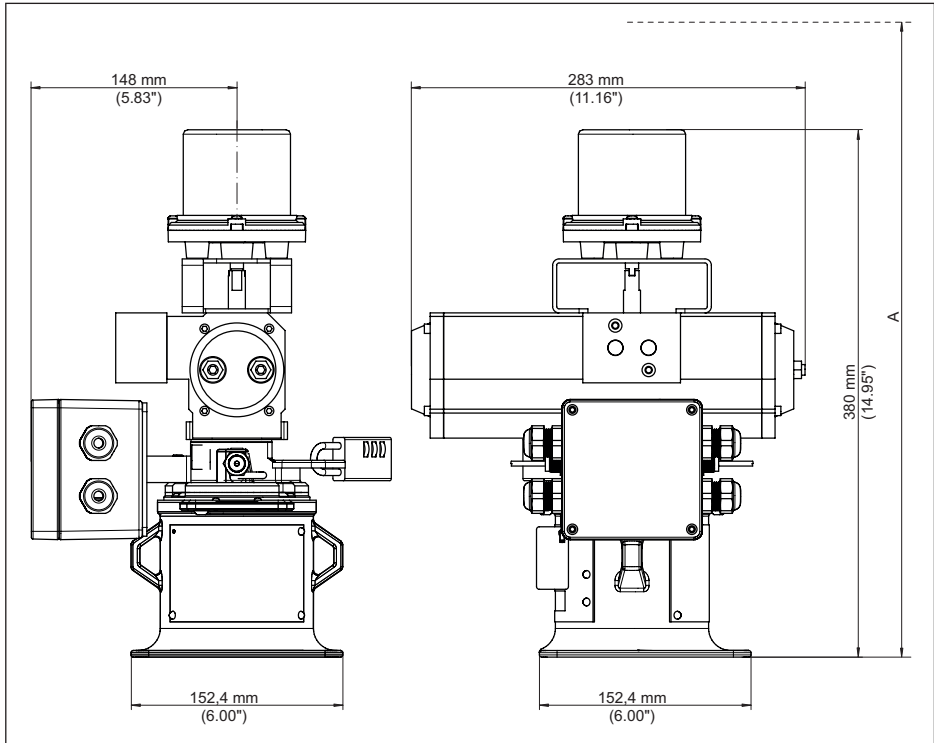
**VEGASOURCE 81, version B - Pneumatic switchover with ON/OFF position switches**

Fig. 41: Source holder VEGASOURCE 81, version B - Pneumatic switchover with ON/OFF position switches

A Free height for removal of the loading tube = 770 mm (30.3 in)

**Features**

- Facility for pneumatic switchover
- ON/OFF position switch for signalling of the actual switching condition
- Padlock for securing the switch position OFF

**VEGASOURCE 81, beam exit channel**

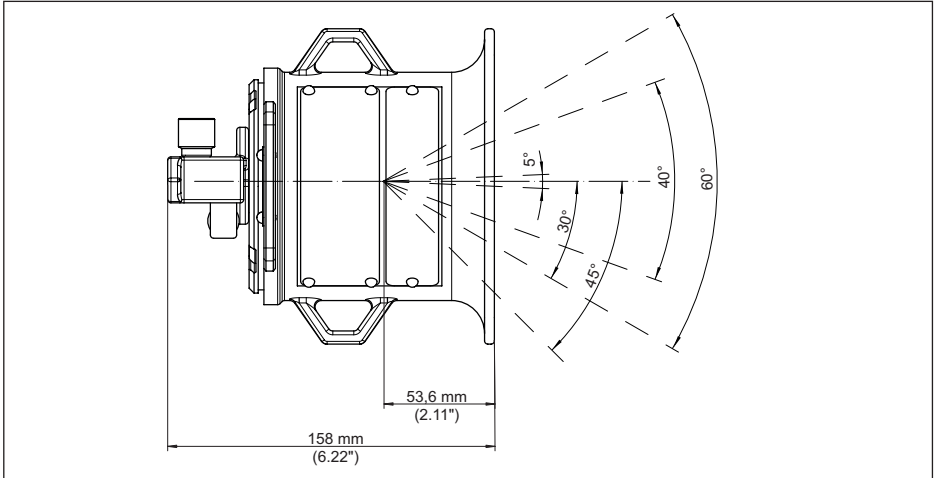


Fig. 42: Beam exit channel (e.g. version X, C)

**VEGASOURCE 81, base plate**

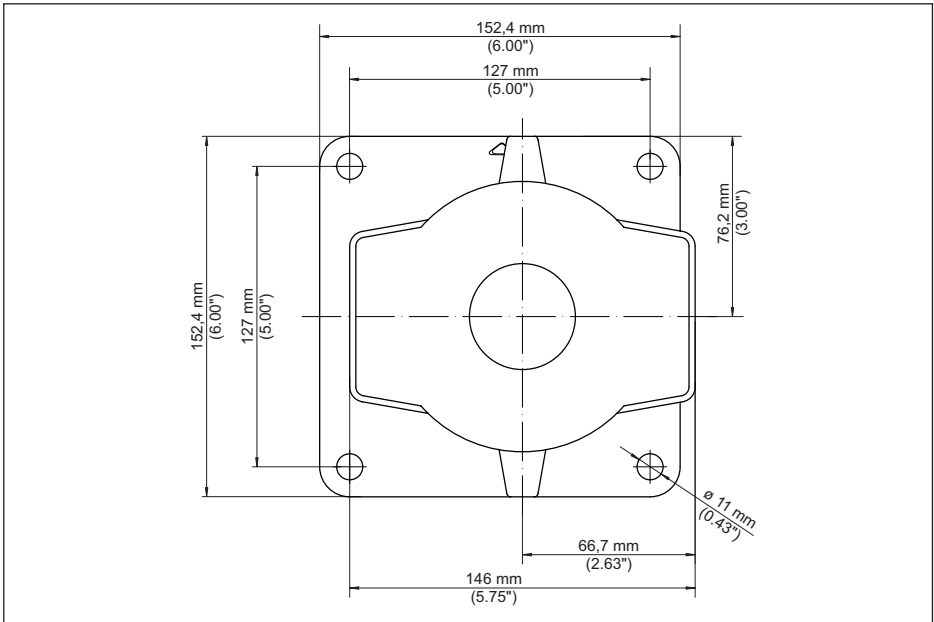


Fig. 43: Base plate with holes (e.g. version X, C)

66075-EN-220701

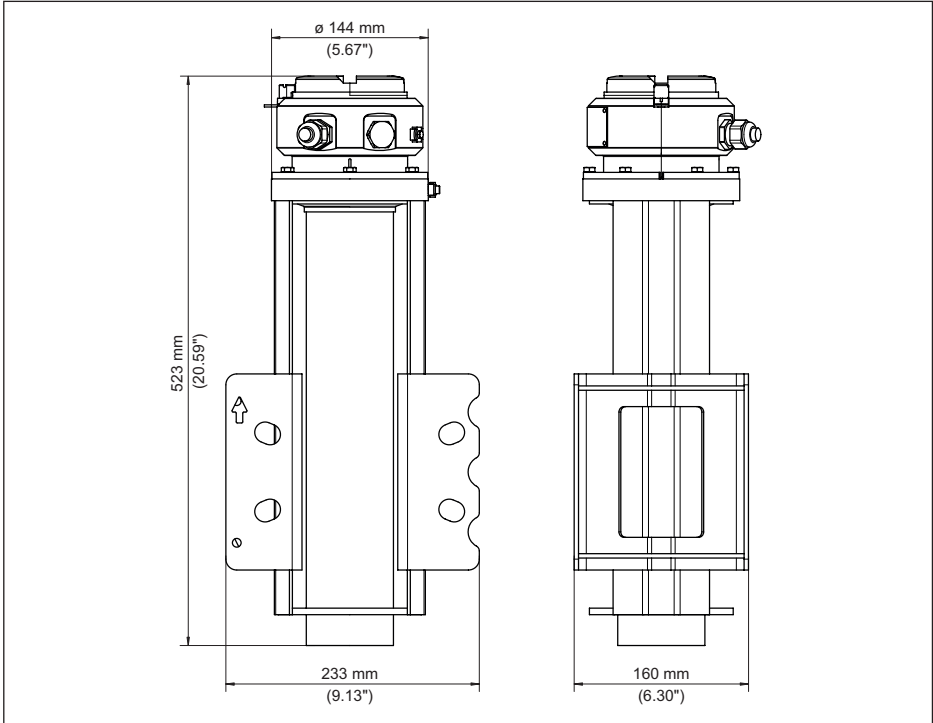
**Gamma modulator (optional)**

Fig. 44: Gamma modulator for uninterrupted measurement even with X-ray radiation

**Mounting brackets KV 31, for pipes from 50 ... 220 mm (1.97 ... 8.66 in) for 30° diagonal irradiation**

*Fig. 45: Mounting brackets for diagonal mounting on pipes from 50 ... 220 mm (1.97 ... 8.66 in)*

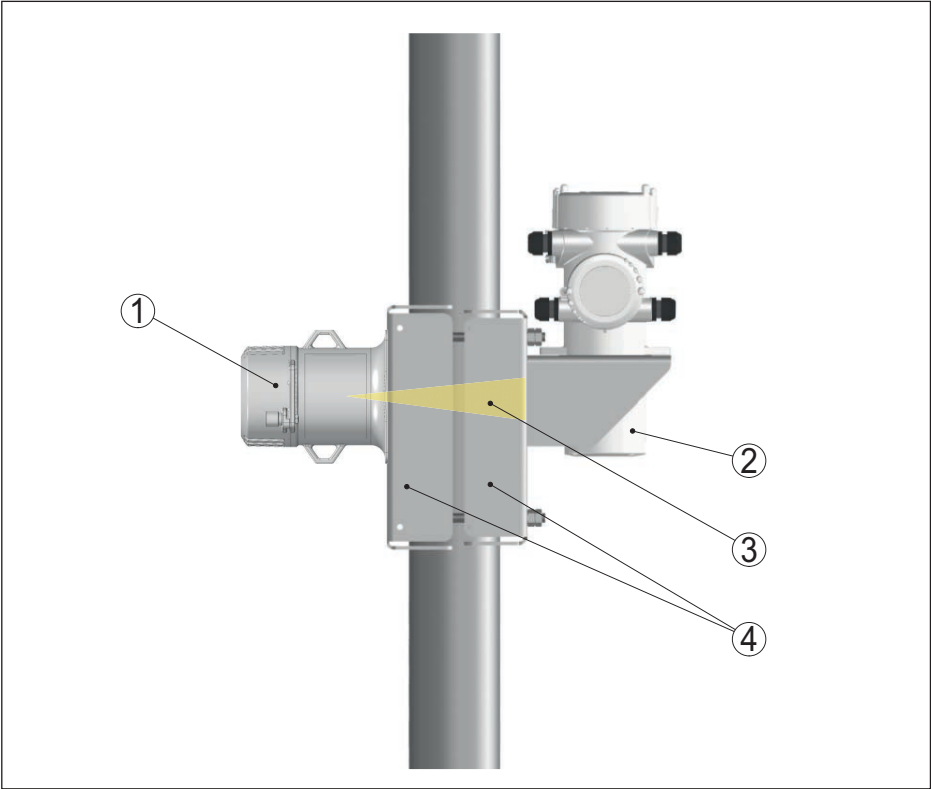
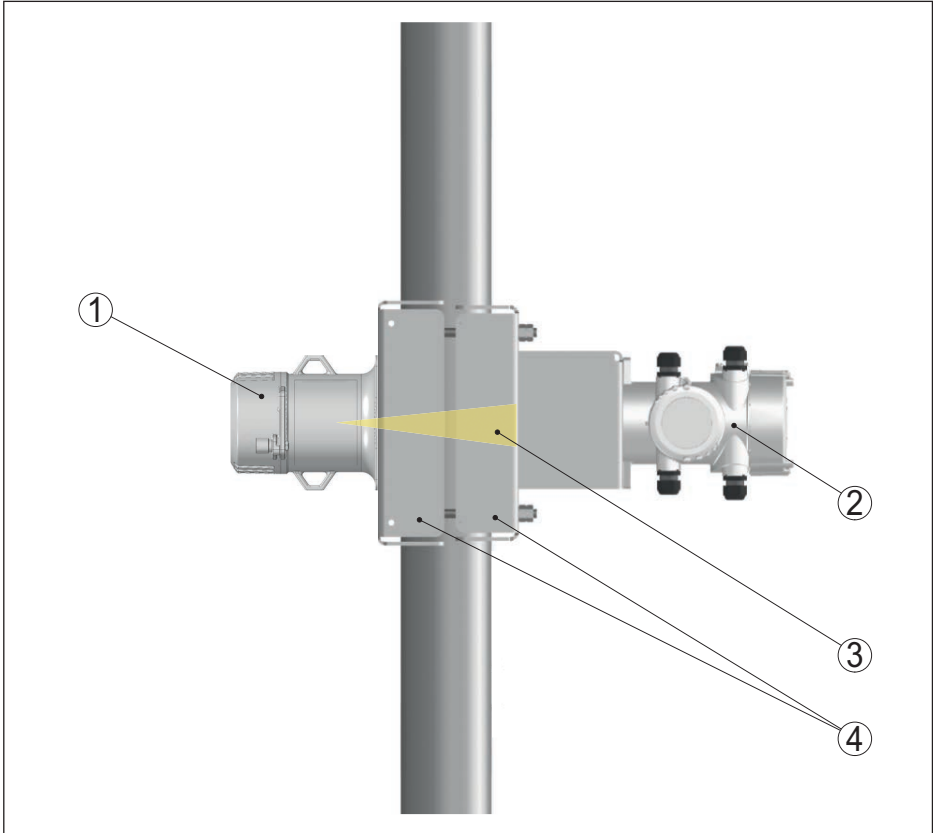
**Mounting brackets KV 31, for pipes from 50 ... 220 mm (1.97 ... 8.66 in)**

Fig. 46: Mounting brackets for mounting on pipes from 50 ... 220 mm (1.97 ... 8.66 in) for 30° diagonal irradiation

- 1 Source holder (VEGASOURCE)
- 2 Radiometric sensor (MINITRAC)
- 3 Radiated area
- 4 Mounting bracket

**Mounting brackets KV 31, for pipes from 50 ... 220 mm (1.97 ... 8.66 in)**



*Fig. 47: Mounting brackets for mounting on pipes from 50 ... 220 mm (1.97 ... 8.66 in)*

- 1 Source holder (VEGASOURCE)
- 2 Radiometric sensor (MINITRAC)
- 3 Radiated area
- 4 Mounting bracket

### 9.3 Manufacturer declaration

Looking Forward

VEGA

VEGA Americas, Inc.  
4241 Allendorf Drive  
Cincinnati, OH, 45209-1183  
USA  
April 19, 2017

513.272.0131 Telephone  
800.FOR.LEVEL Toll Free  
513.272.0133 FAX  
<http://www.vega-americas.com>

#### VEGA Americas, Inc. Sealed Source Container Devices

##### Declaration of TYPE A Evaluation and Testing

Models: SH-F; SHD; SHGL; SHLG; SR; SHRD; MDTs; SHLM-B, BR, C, CR, CP, & MI; SHRM; SHLD, SE80

VEGA Americas, Inc. (VA) (previously Ohmart) being the manufacturer of the devices listed above confirms the requirements of international transportation of hazardous materials USA DOT 49CFR173.410 & 412, and IATA/DGR (2015) for TYPE A packaging. They are appropriate for transportation of special form radioactive material meeting the classification testing of ANSI/HPS N43.6-1997.

The requirements for qualification to be listed as TYPE A packaging was completed according to IAEA-SSR-6 (2012) section IV and documented by internal test reports.

VA designs and manufactures the device to meet the test conditions of the IAEA requirements for "TYPE A" radioactive package shipping container as outlined. These test requirements are adopted by the Nuclear Regulatory Commission (NRC), the USA Department of Transportation (US DOT), and International Air Transport Association Dangerous Goods Regulations (IATA DGR) and incorporated into their requirements for the radioactive TYPE A package. The development, design, review, and testing of the source containers at VEGA Americas is in accordance with VA ISO 9001:2008 certification and Quality Management System. It is outlined in the Engineering Product Development procedure, 230-01.

**NOTE:** VA cannot guarantee that the condition of the source holders will continue to meet these specifications after initial shipment to a customer and mounted for use. It will be the responsibility of any subsequent shipper to ensure the holder is in a condition to meet the requirements to be shipped as a "TYPE A" radioactive package.



Lee Dallman, PE, Director of Engineering



Gretchen Lisi, Quality Manager

450-02-009-R3  
Ref: 450-02-009

Rev: 1  
11/29/2021



## 9.4 Industrial property rights

VEGA product lines are global protected by industrial property rights. Further information see [www.vega.com](http://www.vega.com).

VEGA Produktfamilien sind weltweit geschützt durch gewerbliche Schutzrechte.

Nähere Informationen unter [www.vega.com](http://www.vega.com).

Les lignes de produits VEGA sont globalement protégées par des droits de propriété intellectuelle. Pour plus d'informations, on pourra se référer au site [www.vega.com](http://www.vega.com).

VEGA líneas de productos están protegidas por los derechos en el campo de la propiedad industrial. Para mayor información revise la pagina web [www.vega.com](http://www.vega.com).

Линии продукции фирмы ВЕГА защищаются по всему миру правами на интеллектуальную собственность. Дальнейшую информацию смотрите на сайте [www.vega.com](http://www.vega.com).

VEGA系列产品在全球享有知识产权保护。

进一步信息请参见网站 < [www.vega.com](http://www.vega.com)。

## 9.5 Trademark

All the brands as well as trade and company names used are property of their lawful proprietor/originator.

**INDEX****A**

- Accessories
  - Gamma modulator 18
  - Set of labels 19
- Application area 12

**C**

- Cable 29, 32
- Checking the switchover 39
- Cleaning 38
- Compressed air connection 30
- Control areas 6

**D**

- Delivery specifications 17
- Dismount 44
- Dismounting 44
- Dose rate diagram 53

**E**

- Eye-bolt 22

**F**

- Functional principle 13

**G**

- Gamma modulator 18

**H**

- Handling permit 5

**I**

- Immediate measures 42
- In case of emergency 42
- Inspection 38
- Installation control 28

**L**

- Labels 19
- Lifting devices 14, 20
- Local dose rate 28, 39
- Lug 20

**M**

- Maintenance 38
- Moisture 20
- Mounting accessories 18
- Mounting bracket 18, 24

**O**

- Orientation
  - Density measurement 23
  - Level measurement 21
  - Point level detection 21

**P**

- Pneumatic switching 29, 31, 52
- Potential equalisation 29
- Protective cap 18, 27, 34

**R**

- Radiation protection 5
- Radiation safety officer 6, 7, 28, 38, 39, 40, 42, 44
- Rectify faults 42
- Reference O-ring 38
- Return of the source 44
- Return shipment 45

**S**

- Safety instructions 6
- Screw locking device 27
- Service hotline 42
- Source 13, 52
- Storage 17
- Switching the radiation on 33, 35

**T**

- Technical data 46
- Tightness test 40
- Transport 14
- Transport inspection 14
- Transport papers 17
- Transport regulations 17
- Type A packaging 14
- Type label 9

**V**

- Versions 10

**W**

- Wipe test 40



Printing date:

**VEGA**

All statements concerning scope of delivery, application, practical use and operating conditions of the sensors and processing systems correspond to the information available at the time of printing.

Subject to change without prior notice

© VEGA Grieshaber KG, Schiltach/Germany 2022



66075-EN-220701

VEGA Grieshaber KG  
Am Hohenstein 113  
77761 Schiltach  
Germany

Phone +49 7836 50-0  
E-mail: [info.de@vega.com](mailto:info.de@vega.com)  
[www.vega.com](http://www.vega.com)