

The KYTOLA® variable area flow meter Model TL is a sturdy industrial flow meter.

It has a stainless steel AISI 316 or aluminium body with a heavy-duty impact resistant polymer flow tube.



- Scales up to
50 – 400 L/min (H₂O)
1 – 12 m³/min (air)
- Scales for alternative gases and liquids
- Several connection choices
- Alarm-ready

ISO 9001 ISO 14001

FLOW METER TL

Model TL is a reliable instrument for measuring and monitoring large liquid and gas flows.

FEATURES

Sturdy construction

Protected flow tube

TYPICAL APPLICATIONS

Sealing water measurement for vacuum pumps

Lubrication oil measurement for gear boxes

Flush water applications

Gas flow measurements

Power plants

OPTIONS

Low and high flow alarm

PES flow tube

Viton® or EPDM seals

Model	TLA	TLH	TLFH
Connectors	G 2" / NPT 2"	G 2" / NPT 2"	DN50 / ANSI 2"
Max. pressure	20 bar	20 bar	16 bar
Max. temperature	80°C (*120°C)	80°C (*120°C)	80°C (*120°C)
Weight	3.3 kg	4.5 kg	6.6 kg
Connectors	Aluminium	AISI 316	AISI 316
Body	AISI 316		
Flow tube	Grilamid (PA-12) (*PES)		
Float	AISI 329 or PTFE (depending on range)		
Seals	Nitrile (*Viton®, EPDM)		
Accuracy	±5% F.S. (H ₂ O, +20°C)		

*) Special construction on request

Connections		Material	
G 2"		Aluminium (not for H ₂ O)	A
G 2"		AISI 316	H
DN50 flanges		AISI 316	FH

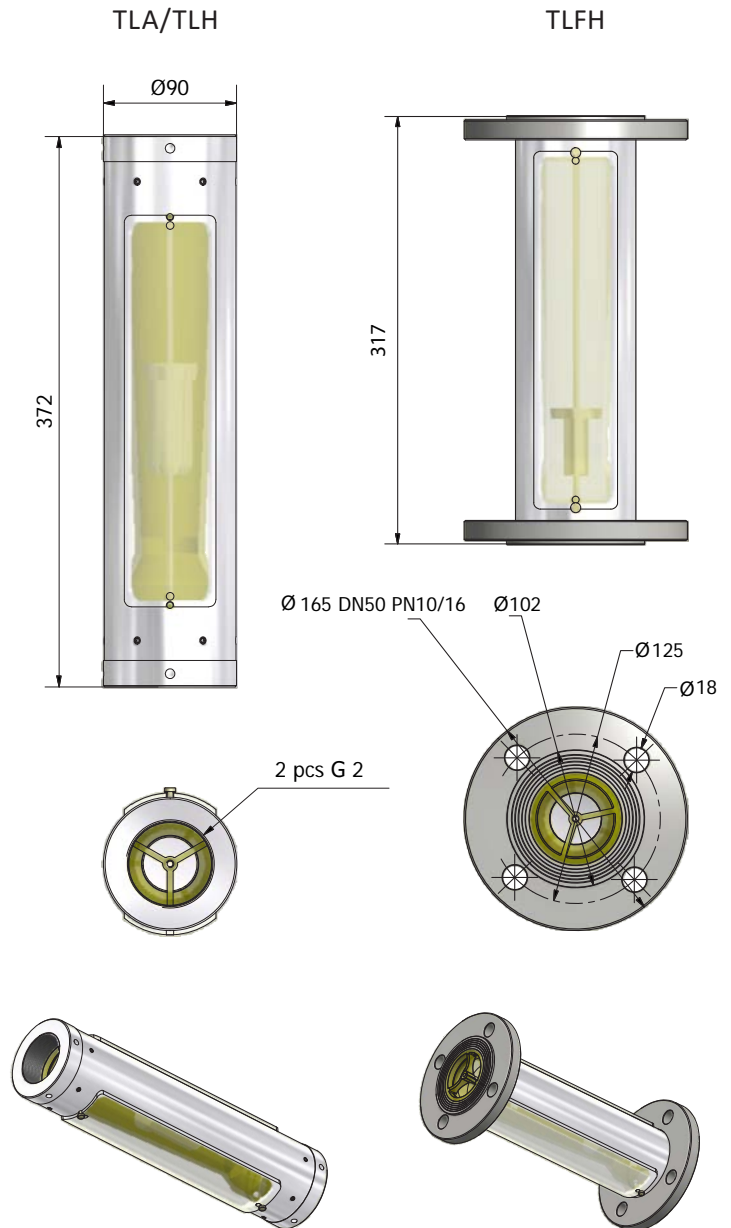
Flow Range			
H ₂ O	Air		
7.5 – 55 L/min	0.3 – 1.9 Nm ³ /min		4E*
10 – 105 L/min	0.4 – 3.0 Nm ³ /min		4A
10 – 150 L/min	0.5 – 4.25 Nm ³ /min		4F
20 – 200 L/min	0.5 – 6.0 Nm ³ /min		4B
40 – 320 L/min	1 – 10 Nm ³ /min		4C
50 – 400 L/min	1 – 12 Nm ³ /min		4D

Scale		
H ₂ O (L/min) at +20°C		A
Air (Nm ³ /min) at +20°C/1.013 bar (abs)		S

Features		
Alarm readiness (sensor holder required)		D
NPT 2" or ANSI 2" 150 lbs connections		N
Grilamid flow tube, nitrile seals		blank
PES flow tube, nitrile seals		V
PES flow tube, Viton® seals		W
Grilamid flow tube, Viton® seals		X
EPDM seals		Y

* = PTFE float, flow alarm not available

Standard feature: leave blank
Special feature: choose a Character



Copyright © Kytola Instruments Oy 2021. Dimensions and measurements are given within normal tolerances. Manufacturer reserves the right to changes without prior notification. TL_es24_en Published 2/2021.