

# EXflow 710 / 720

## TECHNICAL INFORMATION

Flow-through fitting



All brand and product names are trademarks of the company:

EXNER PROCESS EQUIPMENT GmbH

## Imprint

Distributed by:

**Exner Process Equipment GmbH**

Carl-Metz-Str. 26

D-76275 Ettlingen

Date of issue: 2021-11-10

As per: 25.02.2019

File: EXflow TI en 190225

© 2020, Dipl.-Ing. [Graduate Engineer] Detlef Exner

All rights reserved, including the translation.

The reproduction of the content in these operating instructions is subject to prior written approval by EXNER PROCESS EQUIPMENT GMBH, ETTLINGEN.

All technical information, drawings, etc. is subject to the protection of copyright law.

Technical modifications reserved.

Printed on chlorine-free and acid-free pulp paper.

# Table of contents

<b>1</b>	<b>Technical data</b>	<b>4</b>
1.1	Standards	4
1.2	Material properties	4
1.3	Dimensions	5
1.4	EXflow 710 process conditions	7
1.5	EXflow 720 process conditions	7
1.6	Identification plate	8
<b>2</b>	<b>Product description</b>	<b>9</b>
2.1	EXflow flow-through fitting	9
2.1.1	Connections	9
2.1.2	Versions	9
2.2	Process integration	10
<b>3</b>	<b>Ordering structure</b>	<b>13</b>
3.1	Flow-through fitting EXflow 710	13
3.2	Flow-through fitting EXflow 720	14
<b>4</b>	<b>Certificates and compliance</b>	<b>15</b>

# 1 Technical data

## 1.1 Standards

The following standards were applied when manufacturing the flow-through fitting:

- Pressure Equipment Directive

## 1.2 Material properties

Wetted components			
Flow-through fitting			
EXflow	Stainless steel		Plastic
710	1.4571 / 316TI	1.4571 / 316TI Lined with ETFE	
720			PVDF

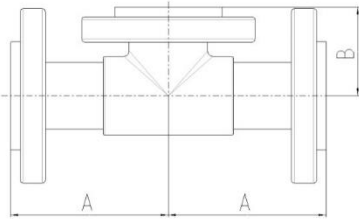
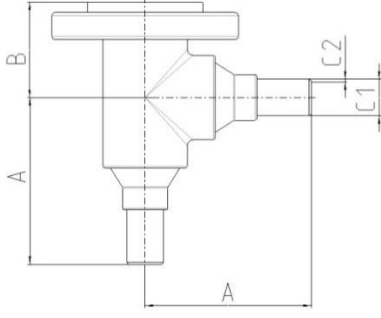
### NOTE

Observe the pressure and temperature diagrams.

---

## 1.3 Dimensions

EXflow 710 measurements								
	Process connector Flange				Process connector Welding connector			
	DN 25 / ANSI 1"		DN 50 / ANSI 2"		DN 25 / 1"		DN 50 / 2"	
180°								
90°								
Measure- ments [mm]	Probe housing connector Flange DN50 / ANSI 2"				Probe housing connector G1 1/4"			
	DN 25	ANSI 1"	DN 50	ANSI 2"	DIN 25	1"	DN 50	2"
A	150	150	150	150	140	140	137	137
B	93	93	93	93	62	62	62	62
B1	77	77	77	77	62	62	62	62
C1	-	-	-	-	33.7	33.7	60.3	60.3
C2	-	-	-	-	2	2	2	2
D	G1 1/4	G1 1/4	G1 1/4	G1 1/4	G1 1/4	G1 1/4	G1 1/4	G1 1/4

EXflow 720 measurements									
	Process connector Flange				Process connector Welding connector				
	DN 25 / ANSI 1"		DN 50 / ANSI 2"		DN 25 / 1"		DN 50 / 2"		
180° 90°									
Measure- ments [mm]	Probe housing connector Flange DN50 / ANSI 2"								
	DN 25	ANSI 1"	DN 50	ANSI 2"	DIN 25	1"	DN 50	2"	
A	150	150	150	150	147	147	147	147	
B	84	84	84	84	84	84	84	84	
C1	-	-	-	-	32	32	63	63	
C2	-	-	-	-	2.4	2.4	2	2	

## 1.4 EXflow 710 process conditions

Max. permissible pressure PS: 16 bar

Max. permissible temperature TS: 140 °C

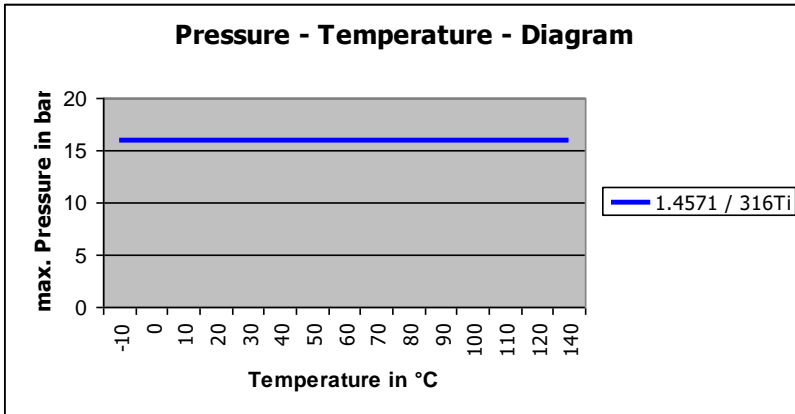


Fig. 1: Pressure-temperature-diagram of EXflow 710

## 1.5 EXflow 720 process conditions

Max. permissible pressure PS: 6 bar

Max. permissible temperature TS: 120 °C

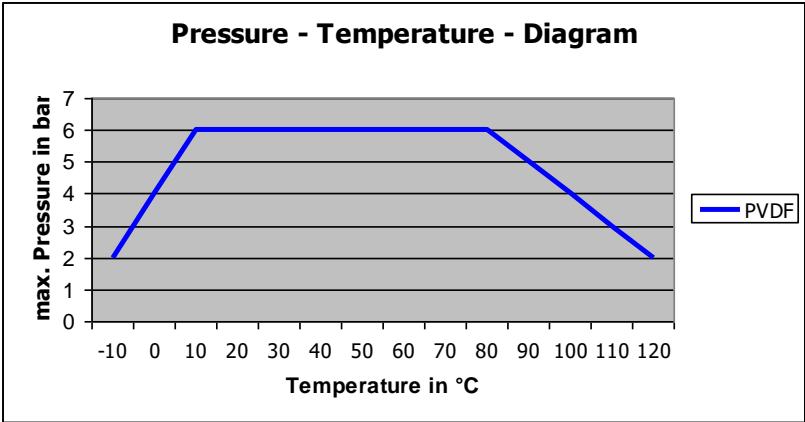


Fig. 2: Pressure-temperature-diagram of EXflow 720

## 1.6 Identification plate

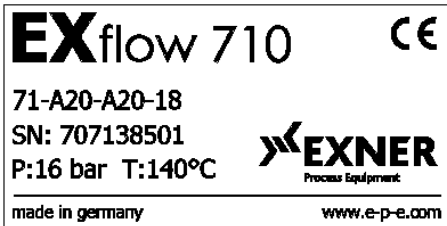


Fig. 3: Identification plate



## 2 Product description

### 2.1 EXflow flow-through fitting

#### 2.1.1 Connections

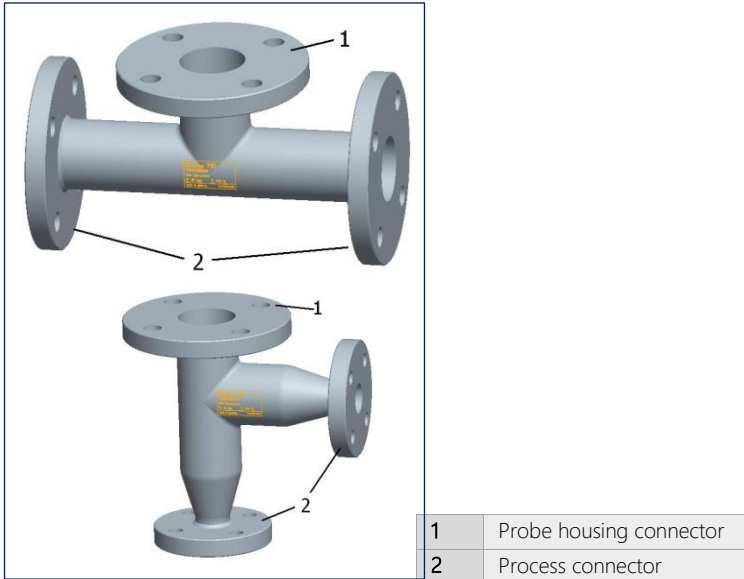


Fig. 4: EXflow flow-through fitting

#### 2.1.2 Versions

To integrate the flow-through fitting EXflow into the process, you can choose between different process connections, flow directions (90° or 180°) and nominal widths. In order to meet the requirements of the versatile process properties, the flow-through fitting EXflow is manufactured from stainless steel or plastic.

## 2.2 Process integration

### Probe housing / Sensor

The flow-through fitting EXflow is integrated into the process pipe and accommodates a probe housing in which a sensor is installed.

### Transmitter

The sensor is connected to a transmitter and can thus transfer its measuring results.

### PLS

The transmitter can be connected with a process control system.

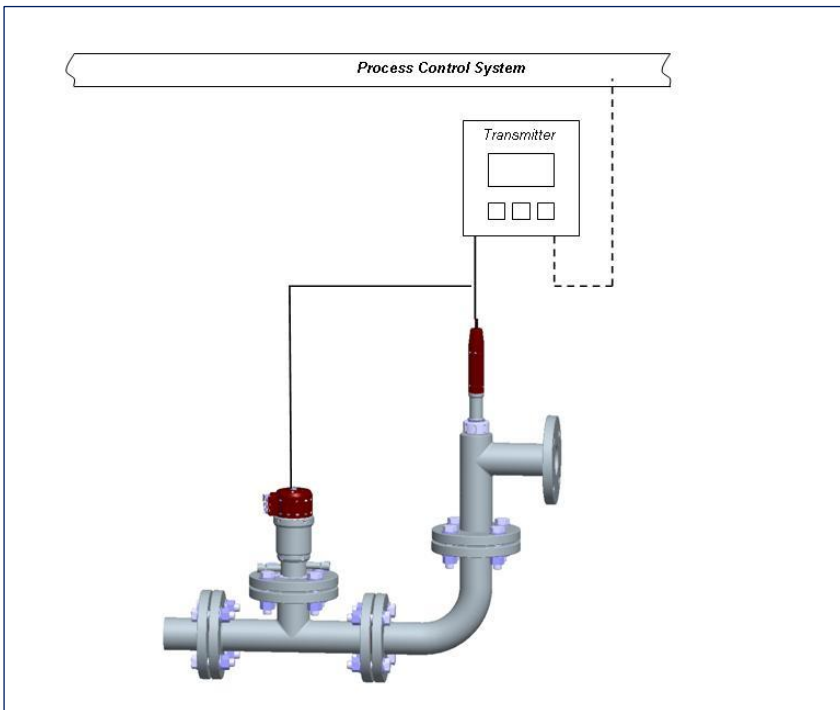


Fig. 5: EXflow flow-through fitting

## Pressure / Temperature

The process pressure and temperature conditions process are relevant for choosing the suitable flow-through fitting. Dependent on the temperature, the stainless steel immersion fitting can be used up to a pressure of 16 bar and the plastic version up to a pressure of 6 bar. The process temperature must be between -10 °C and 140 °C.

### NOTE

Observe the pressure and temperature diagrams.

---

## Installation position

Principally, the unit may be installed in any position. In order to obtain reliable measurement results, the sensor properties are decisive.

## Total measuring point

Combine the flow-through fitting EXflow with suitable a suitable probe housing as a complete measuring unit. Thus, you obtain optimal measuring results.

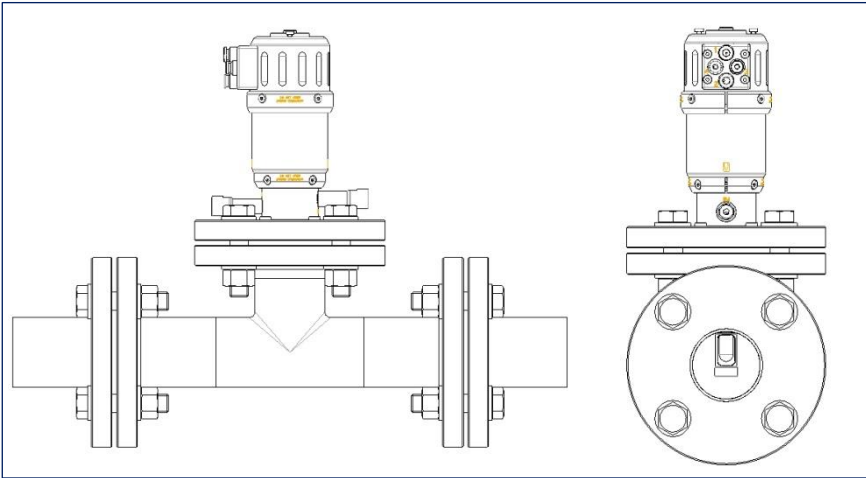


Fig. 6: Flow-through fitting with EXtract

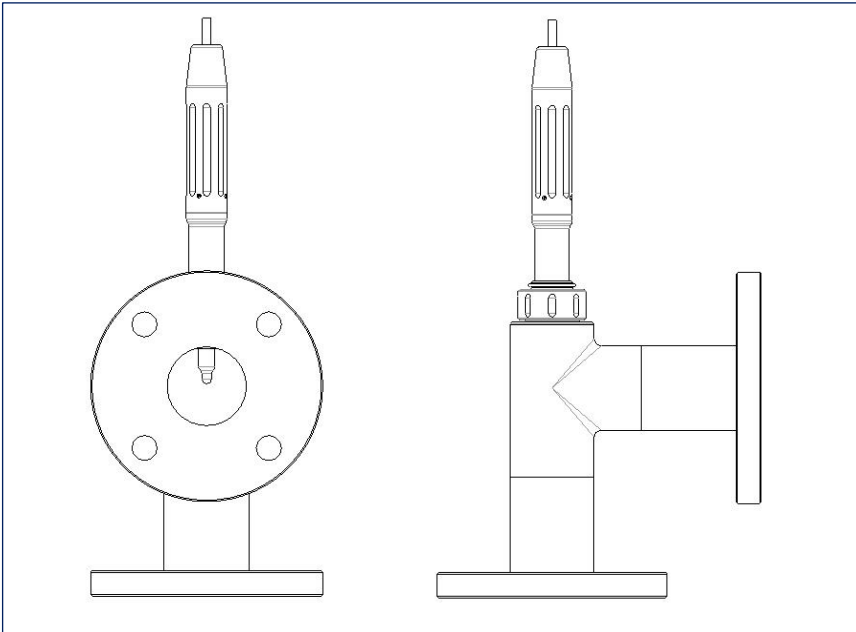


Fig. 7: Flow-through fitting with EXstatic

## 3 Ordering structure

### 3.1 Flow-through fitting EXflow 710

	Code	Fitting material (wetted parts)	
	71	Stainless steel, 1.4571 / 316TI	
	ET	Stainless steel 1.4571 /316 TI ETFE lined	
	XX	Special version	
		Code	Process connector
		D25	DN25 flange
		D50	DN50 PN16 flange
		A10	ANSI 1" flange
		A20	ANSI 2" 150 lbs flange
		W25	Weld end DN25 / 1" (not for ET")
		W50	Weld end DN50 / 2" (not for ET")
		XXX	Special version
		Code	Probe housing connector
		D50	DN50 flange
		A20	ANSI 2" flange
		I25	G 1 ¼" connector (not for ET)
		N34	Female thread NPT ¾" (not for "ET")
		G34	Female thread NPT ¾" (not for "ET")
		XXX	Special version
		Code	Flow direction
		18	180°
		09	90°
EXflow 710			Order code

### 3.2 Flow-through fitting EXflow 720

	<b>Code</b>	<b>Fitting material (wetted parts)</b>		
	PV	PVDF		
	XX	Special version		
		<b>Code</b>	<b>Process connector</b>	
		D25	DN25 flange	
		D50	DN50 PN16 flange	
		A10	ANSI 1" flange	
		A20	ANSI 2" 150 lbs flange	
		W25	weld end DN25 / 1"	
		W50	weld end DN50 / 2"	
		XXX	Special version	
			<b>Code</b>	<b>Probe housing connector</b>
			D50	DN50 flange
			A20	ANSI 2" flange
			XXX	Special version
		<b>Code</b>	<b>Flow direction</b>	
		18	180°	
		09	90°	
<b>EXflow 720</b>				<b>Order code</b>

## 4 Certificates and compliance

**EG-Declaration of conformity**

for

**Flow unit EXflow type 710**

We declare under our sole responsibility that the product, to which this declaration relates is in conformity with the following standards or the normative documents:


- Druckgeräterichtlinie                      2014/68/EU
- AD 2000 Regelwerk

This declaration applies to all identical versions of the product, manufactured according to the development-, design- and manufacturing-drawings and the descriptions, which are part of this declaration.

The applied conformity assessment procedure was according to  
**Appendix II of the PED 2014/68/EU, Module A.**  
 The usable liquids are rated according article 13/1a.

This declaration is given by the manufacturer.


Name of company:	<b>Exner Process Equipment GmbH</b>
Address:	Carl-Metz-Straße 26 D-76275 Ettlingen
	Germany

  
\_\_\_\_\_

Place

02.01.2020  
\_\_\_\_\_

Date

  
\_\_\_\_\_

Detlef Exner  
General Manager

**EXNER**  
Process Equipment GmbH  
Carl-Metz-Straße 26  
76275 Ettlingen // Germany  
fon 07243-945429-0 fax -99  
www.e-p-e.de

## EG-Declaration of conformity

for

### Flow unit EXflow type 720

We declare under our sole responsibility that the product, to which this declaration relates is in conformity with the following standards or the normative documents:

- Pressure Equipment Directive            2014/68/EU
- Standard    DVS 2205

This declaration applies to all identical versions of the product, manufactured according to the development-, design- and manufacturing-drawings and the descriptions, which are part of this declaration.

The applied conformity assessment procedure was according to **Appendix II of the PED 2014/68/EU, Module A.**  
The usable liquids are rated according article 13/1a.

This declaration is given by the manufacturer.

Name of company:                                **Exner Process Equipment GmbH**  
Address:    Carl-Metz-Straße 26  
    D-76275 Ettlingen  
  
    Germany



  
\_\_\_\_\_  
Place

01.01.2020  
\_\_\_\_\_  
Date

  
\_\_\_\_\_  
Detlef Exner  
General Manager











Exner Process Equipment GmbH  
Carl-Metz-Str. 26  
D-76275 Ettlingen  
Germany

tel +49 (0)7243-94 54 29-0  
fax +49 (0)7243-94 54 29-99  
mail [info@e-p-e.de](mailto:info@e-p-e.de)

[www.e-p-e.com](http://www.e-p-e.com)