

EXtract 840M manual retractable holder with ball valve



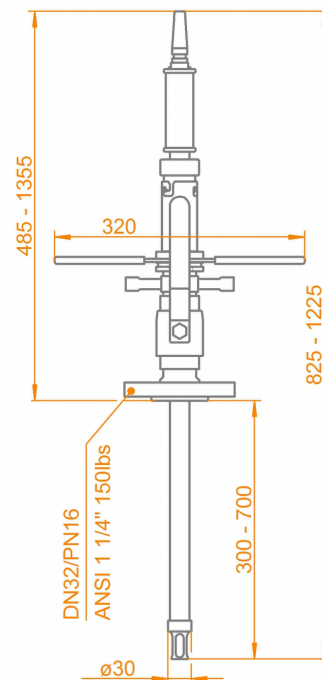
- » Robust design, with ball valve
- » Integrated sealing package
- » Automatic locking mechanism at too high process pressures
- » Stainless steel AISI 316L / 1.4404
- » Immersion length up to 700 mm nominal
- » High variation of process connections
- » Applicable up to 12 bar and 130 °C

EXtract 840M is a manually operated retractable probe housing with long immersion depth and ball valve for installation of Ø12-120mm sensors on tanks with unique safety lock against unintentional unlocking at too high process pressures.

Specifications

Process pressure:	0...12 bar
Process temperature:	-10...130 °C
Ambient temperature:	-10...70 °C
Immersion length:	300 mm / 700 mm nominal
Sensors:	120mm Ø12 PG13.5
Material:	stainless steel 1.4404 /316L
Sealings:	EPDM, FPM (Viton), FFKM (Kalrez)
Process connection:	Flange DN32 / ANSI 1 ¼", Thread G1 ¼"; MNPT1 ¼"
Ball valve (option):	DN32; 1.4408
Cleaning ports:	G1/8", G1/4", FNPT1/4"
Operating power:	manually operated
Limit switches:	without

Dimensions



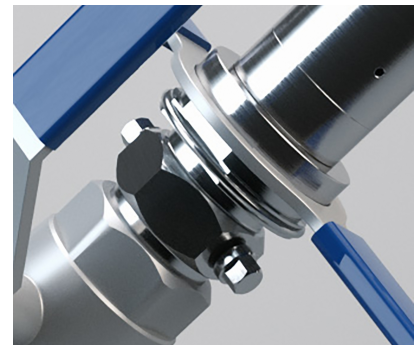
EXtract 840M manual retractable holder with ball valve



Locking via safety bayonet lock



Sensor holder with protective cage



Locking device and cleaning connections

Order code

Code	Material (wetted parts)	Delivery time
4404	Stainless steel 1.4404 / 316L	2 Weeks
Code	Sealing material (wetted sealings)	Delivery time
EPD	EPDM/FDA/USP VI	2 Weeks
FPM	FPM (Viton)	2 Weeks
FKM	FFKM (Kalrez)	3 Weeks
Code	Immersion length	Delivery time
03	300mm (nominal)	2 Weeks
07	700mm (nominal)	4 Weeks
Code	Sensor type	Delivery time
120	120mm PG 13,5 Ø12mm	2 Weeks
Code	Process connection	Delivery time
FD32O	Flange DN32 PN16 without ball valve	2 Weeks
FD32B	Flange DN32 PN16 with ball valve	2 Weeks
FA14O	Flange ANSI 1 1/4" 150lbs without ball valve	2 Weeks
FA14B	Flange ANSI 1 1/4" 150lbs with ball valve	2 Weeks
G14MO	Thread G1 1/4" male without ball valve	2 Weeks
G14FB	Thread G1 1/4" female with ball valve	2 Weeks
N14MO	Thread NPT G1 1/4" male without ball valve	2 Weeks
Code	Cleaning connection	Delivery time
G18	G 1/8" female thread	2 Weeks
G14	G 1/4" female thread	2 Weeks
N14	1/4" NPT female thread	2 Weeks