

VEGABAR 28

Two-wire 4 ... 20 mA

Pressure sensor with ceramic measuring cell



Application area

The VEGABAR 28 is a universally applicable pressure sensor with switching function and ceramic measuring cell. It is used for measuring gases, vapours and liquids. Even with high requirements for robustness and hygiene, the device records the measured values with high accuracy.

The optional universal connection for hygiene adapters reduces the installation effort and stockkeeping.

Your benefit

- High plant availability through maximum overload and vacuum resistance of the ceramic measuring cell
- Coloured 360° status indication
- Convenient wireless setup and diagnostics with smartphone via Bluetooth
- Easy integration into control systems due to a variety of connection technologies

Function

The heart of the pressure transmitter is the pressure measuring cell transforming the pressure into an electrical signal. This pressure-dependent signal is converted by the integrated electronics into a standardized output signal.

Sensor element with VEGABAR 28 is the ceramic CERTEC® measuring cell with excellent long-term stability and high overload resistance.

Technical data

Measuring ranges	-1 ... +60 bar/-100 ... +6000 kPa (-14.5 ... +870 psig)
Smallest measuring range	+0.1 bar/+10 kPa (+1.45 psig)
Deviation	< 0.3 %
Output signal	4 ... 20 mA
Process fitting	Thread from G $\frac{1}{4}$, $\frac{1}{4}$ NPT, hygienic fittings from DN 25
Process temperature	-40 ... +130 °C (-40 ... +266 °F)
SIP process temperature	+150 °C (+302 °F) with brief vapour stratification
Ambient, storage and transport temperature	-40 ... +70 °C (-40 ... +140 °F)
Bluetooth standard	Bluetooth 5.0 (downward compatible to Bluetooth 4.0 LE)
Effective range Bluetooth typ.	25 m (82 ft)
Operating voltage	12 ... 35 V DC
Protection rating	up to IP66/IP68 (0.5 bar) or IP66/IP67/IP69 acc. to EN 60529/IEC 529, up to Type 6P NEMA/UL 50E

Materials

The wetted parts of the device are made of 316L, PVDF, duplex steel or sapphire-ceramic®. The process seal is made of FKM, EPDM or FFKM, depending on the process fitting.

A complete overview of the available materials and seals can be found on our homepage under "Products" and "Configure & Order".

Housing versions

The housing is equipped with plug connector according to ISO 4400, M12 x 1 or direct cable outlet.

It is available with protection ratings up to IP68 (0.5 bar)/IP69.

Electronics versions

In addition to the two-wire electronics 4 ... 20 mA, three-wire electronics with IO link as well as 4 ... 20 mA (active) and transistor outputs are also possible.

Depending on the electronics, the connection is made via ISO 4400, M12 x 1 plug or direct cable outlet.

Approvals

Worldwide approvals are available for VEGA instruments, e.g. for use in hazardous areas, on ships or in hygienic applications.

The technical data in the respective safety instructions are valid for approved instruments (e.g. with Ex approval). In some cases, these data can differ from the data listed herein.

You can find detailed information on the existing approvals with the appropriate product on our homepage.

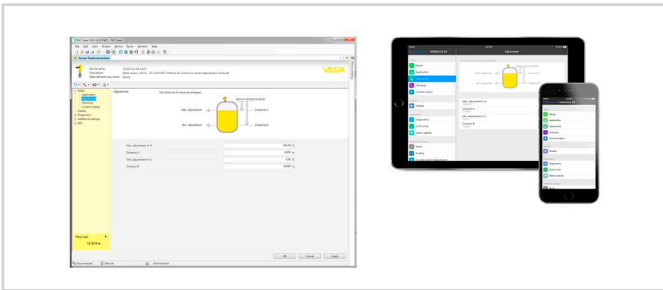
Adjustment

The Bluetooth version of the device enables wireless connection to smartphones/tablets (iOS/Android) or Windows PCs.



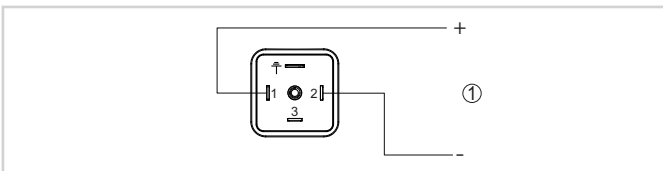
Wireless connection to standard operating devices

Operation is via a free app from the "Apple App Store", the "Google Play Store" or the "Baidu Store". Alternatively, adjustment can also be carried out via PACTware/DTM and a Windows PC.



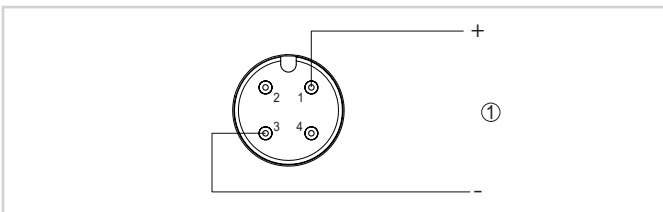
Adjustment via PACTware or app

Electrical connection



Wiring plan - two-wire 4 ... 20 mA - plug according to ISO 4400

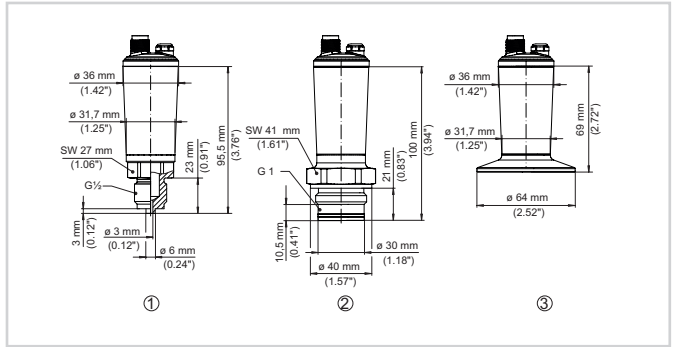
- 1 Voltage supply and signal output



Wiring plan - two-wire 4 ... 20 mA - M12 x 1 plug

- 1 Voltage supply and signal output

Dimensions



Dimensions VEGABAR 28

- 1 Thread $G \frac{1}{2}$ (EN 837), manometer connection
- 2 Thread G1 (ISO 228-1)
- 3 Clamp 2" PN 40, $\varnothing 64 \text{ mm}$ (DIN 32676, ISO 2852)

Information

You can find further information on the VEGA product line on our homepage.

In the download section on our homepage you'll find operating instructions, product information, brochures, approval documents, instrument drawings and much, much more.

Software accessories such as the current device software and the appropriate operating software are also available there.

Instrument selection

On our homepage under "Products" you can select the suitable measuring principle and instrument for your application.

There you will also find detailed information on the available device versions.

Contact

You can find your personal contact person at VEGA on our homepage under "Contact".