

# EXtract 821M plastics, extended immersion



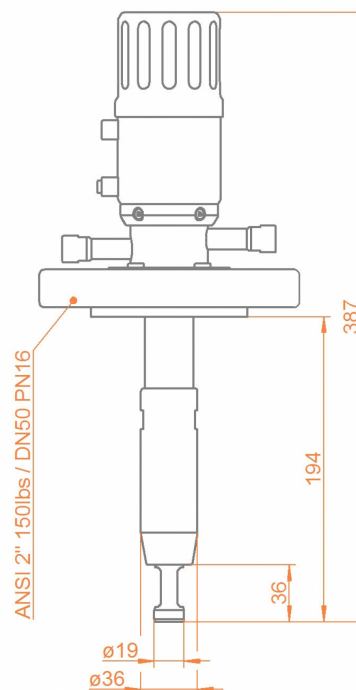
- » Robust design, integrated scraper
- » Automatic locking system with indicators for measurement- and service position
- » Automatic safety lock while sensor is removed
- » Safe handling under higher process pressure due to unique rotary drive
- » PVDF or PEEK
- » High stability protection cage in Alloy for option PVDF
- » Usable in ATEX-areas

EXtract 821M is a manually operated retractable probe housing made of plastics for installation of Ø12-325mm sensors on tanks or pipelines with an extended immersion length up to 194mm with unique rotary drive.

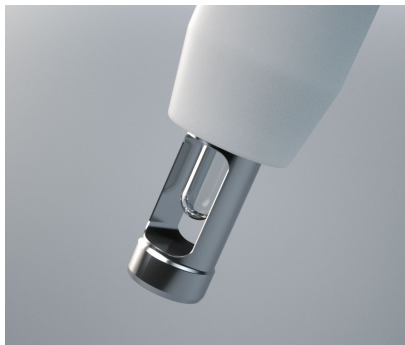
## Specifications

Process pressure:	0...10 bar
Process temperature:	-10...140 °C
Ambient temperature:	-10...70 °C
Immersion length:	up to 194 mm
Sensors:	325 mm Ø12 PG13.5
Materials:	PVDF / Alloy C22, PEEK
Sealings:	EPDM, FPM (Viton), FFKM (Kalrez)
Process connection:	Flange DN50 PN16 / ANSI 2" 150lbs
Cleaning ports:	G1/8", G1/4", FNPT 1/4"
Operating power:	manual
Limit switches:	optional electrical NAMUR switches

## Dimensions



# EXtract 821M plastics, extended immersion



Protective cage with sensor in measuring position



Unlocking pins and position indicators on manual drive unit



Probe housing in measuring position, the protective cage is made of high-quality Hastelloy C22

## Order code

Code	Material (wetted parts)	Delivery time
PVDF	PVDF	2 Weeks
PEEK	PEEK	2 Weeks

Code	Sealing material (wetted sealings)	Delivery time
EPD	EPDM/FDA/USP VI	2 Weeks
FPM	FPM (Viton)	2 Weeks
FKM	FFKM (Kalrez)	3 Weeks

Code	Sensor type	Delivery time
325	325mm PG 13,5 gel-filled	2 Weeks
380	380mm PG 13,5 liquid filled	2 Weeks

Code	Process connection	Delivery time
D50	Flange DN50 PN16	2 Weeks
A20	Flange ANSI 2" 150lbs	2 Weeks

Code	Cleaning connection	Delivery time
G18	G 1/8" female thread	2 Weeks
G14	G 1/4" female thread	2 Weeks
N14	1/4" NPT female thread	2 Weeks

Code	Position switch	Delivery time
00	without	2 Weeks