



## MODEL 220

### FEATURES

- Non-linear Tank Correction
- Density Correction
- Four Level Alarms
- Level Bar Graph Display
- Tank Contents Display
- Powered by 4-20mA Loop
- Intrinsically Safe
- Wall, Pipe and Panel Mounting
- Watertight to IP67 (Nema 4X)
- ATEX, IECEx, CSA Approved
- CE Compliant

LOOP POWERED

## Level Monitor



The Model 220 Level Monitor accepts a 4-20mA signal from a wide range of level sensors, including pressure transmitters, ultrasonic sensors or capacitance probes, and displays both level and tank contents on a large LCD display.



# Field Mounting Level Monitor

PROVEN IN THOUSANDS OF FIELD INSTALLATIONS  
THROUGHOUT THE WORLD.

**The 220 is a high accuracy, intrinsically safe Level Monitor designed to operate with digital output flowmeters. Having an IP67 weatherproof case, new tactile keyboard and various mounting options, the 220 is perfect for the most arduous of installations.**



Solid state relay outputs provide up to four level alarms and a 25 point non-linearity correction table allows the instrument to be programmed to fit most tanks.

The Level Monitor is powered entirely from the 4-20mA current loop and, therefore, requires no external power or batteries.

The instrument is fully programmable with setup parameters such as span, offset, alarm levels etc, stored in a non-volatile memory which will retain all data for more than 10 years without power.

The Model 220 is housed in an attractive IP67 (Nema 4X) polycarbonate enclosure which is completely watertight.

A wall mounting bracket is supplied as standard, while a 51mm (2") pipe mounting bracket is available as an option. Alternatively, the Model 220 can be supplied as a panel mount instrument.

The Model 220 is powered entirely from the 4-20mA current loop and therefore requires no external power or batteries.

## Display

### Level bar graph

Displays measured level as a percentage (0-100%).

### Contents

7 digit numeric display of contents with programmable span. An offset can be programmed to account for contents remaining in the tank when the measured level is 0%.

The contents are displayed with 42 digit resolution so that larger values are displayed with trailing zeros (for example, 1437765 would be displayed as 1437700 and 5467289 would be displayed as 5467000).

### Filter

A programmable filter will filter out fluctuations in readings caused by agitation in the tank.

### Density

Density correction is provided for level devices which are density sensitive. Should the density change, a correction factor can be programmed via the front panel.

## Relays

### Type

Four solid state opto-isolated DC relays arranged as high-high, high, low and low-low.

### Acknowledgement

Alarms can be programmed for continuous operation or for an acknowledge mode of operation where the display key is pressed to acknowledge and cancel the relay alarm output.

### Normally energised or de-energised relay

Relays are programmable to alarm in either mode.

## Non-Linearity Correction

A 25 point non-linear correction table can be programmed to handle any shaped tank. Up to 25 points on both the x and y axes can be programmed and the Model 220 will perform linear interpolation between points.

The curve enables the contents of vessels, such as cylindrical tanks, bullet shaped tanks or hoppers to be displayed directly in engineering units as a volume or mass.

A conversion program which runs under Windows 95 is available to calculate theoretical values for the conversion program based on tank dimensions.

## Intrinsic Safety

The 220 is certified as intrinsically safe to European ATEX/IECEx standards, and CSA US/C standards for both the USA and Canada, see specification for details.



## SPECIFICATIONS

### Display

**Type:** LCD display

**Level:** 20 segment bar graph

**Level Span:** 0...100% proportional to input signal. For non-inverting tanks 0% is 4mA and 100% is 20mA. For inverting tanks 0% equals 20mA and 100% is 4mA

**Contents:** 7 digits with 12mm (0.48") high digits on the LCD. Contents are displayed with 42 digit resolution and trailing zeros

**Contents Span:** The contents span is programmable in the range of 0.001...9,999,999 and can be any unit of measure

**Contents Zero:** The contents zero is programmable in the range of 0.000...9,999,999. The contents zero is the contents in the tank at 0% level

**Decimal Points:** Decimal point position for contents is programmable in range of 0...3 decimal point places

### Physical

**Operating Temperature:** -20 to +60°C, -4 to +140°F

#### Enclosure

**Dimensions:** 98mm (3.9") H x 151mm (5.9") W x 43mm (1.7") D

**Protection:** Sealed to Nema 4X or IP67 standards

#### Mounting Options

**Wall:** Universal wall mounting bracket

**Pipe:** A galvanised metal bracket is available which enables the Model 220 to be attached to a 51mm (2") vertical or horizontal pipe

**Panel:** Supplied with mounting brackets. Terminals accessible from rear. (*Note that the panel mount version is not watertight.*)

### 4-20mA Power Input

**Resolution and Linearity:** 0.05% of span

**Accuracy:** 0.05% of span @ 25°C. 0.1% (typ) of span, full temperature range

**Update Time:** 0.5 second

**Connection:** Two wire

**Voltage Drop:** 2.5 volts maximum

### Alarm / Pulse Outputs

**Type:** 4 x open collector outputs suitable for driving DC solenoids or external relays. The outputs provide high, high-high, low and low-low flow alarms

**Switching Power:** 200mA. 30Vdc maximum

**Saturation Voltage:** 0.8Vdc typical across the output in the "on" state

**Isolation:** Outputs are separately opto-isolated

### Hazardous Area Approval

#### Type of Approval:

- ATEX Rating - II 2G Ex ia IIB T4 Gb  
Cert No. BVS 15 ATEX E 106 X
- IECEx Rating - Ex ia IIB T4 Gb  
Cert No. IECEx BVS 15.0099X
- CSA us/c Rating - Class 1, Group C & D  
Cert No. 104840-5

### Intrinsically Safe Parameters

**Maximum Ambient:** 60°C (+140°F)

**Maximum Input Parameters:**

4-20mA or Relays:  $U_i = 28V$

$I_i = 93mA$

$P_i = 653mW$

**Maximum Output Parameters:**

Relay:  $U_i = 28V$

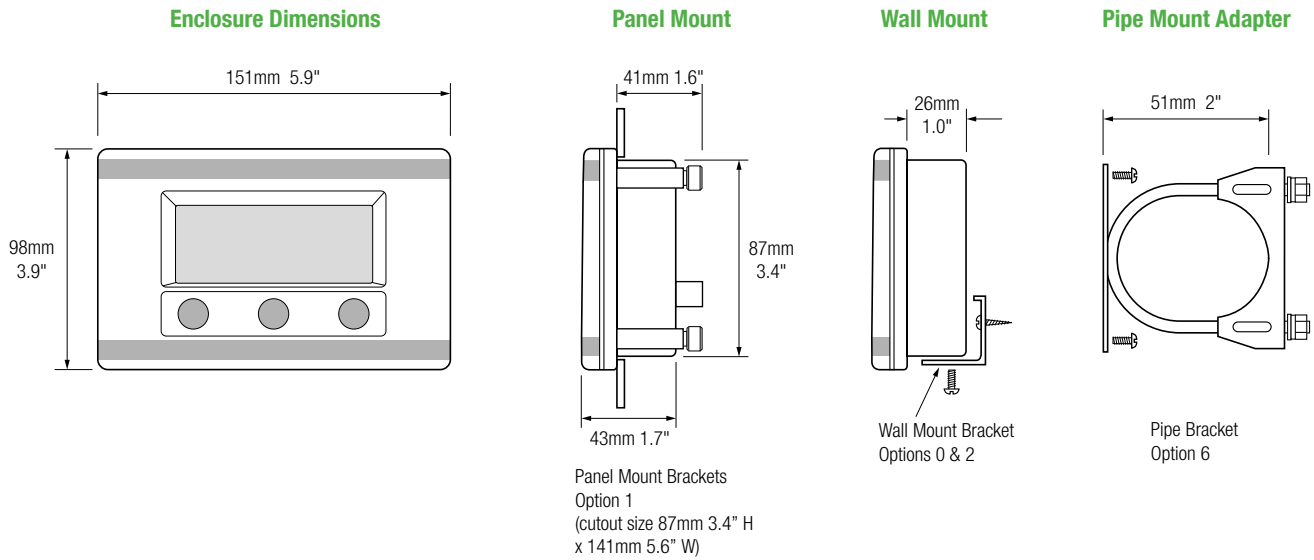
$I_i = 93mA$

$P_i = 653mW$

**Important:** Specifications are subject to change without notice.



# DIMENSIONS



## TERMINAL DESCRIPTIONS

Inputs & Outputs	
Number	
1	Low-low Alarm (-)
2	Low-low Alarm (+)
3	4-20mA (-) Input
4	4-20mA (+) Input
5	Low Alarm (-)
6	Low Alarm (+)
7	High Alarm (-) or Pulse (-)
8	High Alarm (+) or Pulse (+)
9	High-high Alarm (-)
10	High-high Alarm (+)

## PRODUCT CODES

Product Code, Mounting Types & Options			
<b>220i</b>	•		<b>Level Monitor</b> (intrinsically safe)
<b>Enclosure Mounting</b>		0 1 2 6	Wall Mounting (no gland holes) Panel Mounting * Wall Mounting (standard glands holes) Pipe Mounting
<b>Output (standard)</b>		0	Loop Powered Alarm Outputs
<b>Hazardous Approvals</b>		C M	CSA US & Canadian Approval ATEX/IECEx Approval

Typical Part Number: 220i.20C

\* Note: Cable glands not included

### Instruments within the Contrec family:

**100 Series** – Accurate process instruments for field mounting applications

**200 Series** – Intrinsically safe, precise and reliable process instruments

**400 Series** – Rugged and dependable batch and flow control solutions

**505 Series** – Next generation flow instruments for a variety of applications

**515 Series** – Precise flow and batch control for more complex applications

**LC Series** – Robust load computers for petroleum and chemical applications

**TRAC 40** – Vehicle mount custody transfer approved registers



**Contrec Manufacturing (UK) Ltd**  
Riverside, Canal Road  
Sowerby Bridge  
West Yorkshire HX6 2AY

**t** +44 (0)1422 829944  
**f** +44 (0)1422 829945  
**e** admin@contrec.co.uk  
**w** www.contrec.co.uk

**SALES & TECHNICAL SUPPORT:**  
**+44 (0)1422 829944**  
**www.contrec.co.uk**

**Contrec Manufacturing Ltd**  
Manufacturing and Asia Sales:  
+44 (0)1422 829944  
admin@contrec.co.uk

**Contrec Europe Ltd**  
European, Middle East and Africa  
Sales: +44 (0)1422 829940  
sales@contrec.co.uk

**Contrec – USA**  
Americas & Canada Sales:  
+1 (0)205 685 3000  
customerservice@contrec-usa.com

**Contrec Systems PTY Ltd**  
Australasia Sales and South East Asia  
Support: +61 (0)413 505 114  
paul@contrec.com.au