

VEGATOR 131

Single-channel controller for point level detection with conductive sensors



Application area

The VEGATOR 131 is a single-channel controller for conductive probes type EL. Typical applications are level detections. Optionally a false signal output is available.

Your benefit

- Compact controller with alarm function for limit level
- Integrated fault monitoring with LED display detects line break
- Simple mounting through carrier rail as well as detachable, coded terminals

Function

The VEGATOR 131 is a single channel limit level alarm and is mainly used for level detection in conjunction with conductive probes. All sensors of series EL can be connected. The signal circuit is permanently monitored on line break.

An operating relay as limit alarm for control tasks is available as output. As an option, an active fault signal is available via relay apart from the fault indication. This relay can be also configured alternatively as a second operating relay.

Approvals

Worldwide approvals are available for VEGA instruments, e.g. for use in hazardous areas, on ships or in hygienic applications.

The technical data in the respective safety instructions are valid for approved instruments (e.g. with Ex approval). In some cases, these data can differ from the data listed herein.

You can find detailed information on the existing approvals with the appropriate product on our homepage.

Technical data

General data

Series Module unit for mounting on carrier rails
35 x 7.5 acc. to EN 50022/60715

Connection terminals

– Wire cross-section 0.25 mm² (AWG 23) ... 2.5 mm² (AWG 12)

Voltage supply

Operating voltage

– Nominal voltage AC 24 ... 230 V (-15 %, +10 %), 50/60 Hz
– Nominal voltage DC 24 ... 65 V (-15 %, +10 %)

Max. power consumption 2 W (8 VA)

Sensor input

Quantity 1 x for connection of a conductive electrode

Input type Active (sensor power supply by VEGATOR 131)

Measured value transmission Alternating voltage

Response resistor 500 Ω ... 200 kΩ, adjustable

Terminal voltage (idle state) 10 V_{SS} rectangular voltage 75 Hz

Permissible line capacitance 200 nF

Relay output

Quantity 1 x operating relay, 1 x operating/fail safe relay (optional)

Contact Floating spdt

Switching voltage min. 10 mV DC, max. 253 V AC/50 V DC

Switching current min. 10 μA DC, max. 3 A AC, 1 A DC

Breaking capacity min. 50 mW, max. 500 VA, max. 54 W DC

Switch-on/Switch-off delay

– Basic delay 250 ms, ± 20 %

– Adjustable delay 2/6/8 s, ± 20 %

Ambient conditions

Ambient temperature at the installation site of the instrument -20 ... +60 °C (-4 ... +140 °F)

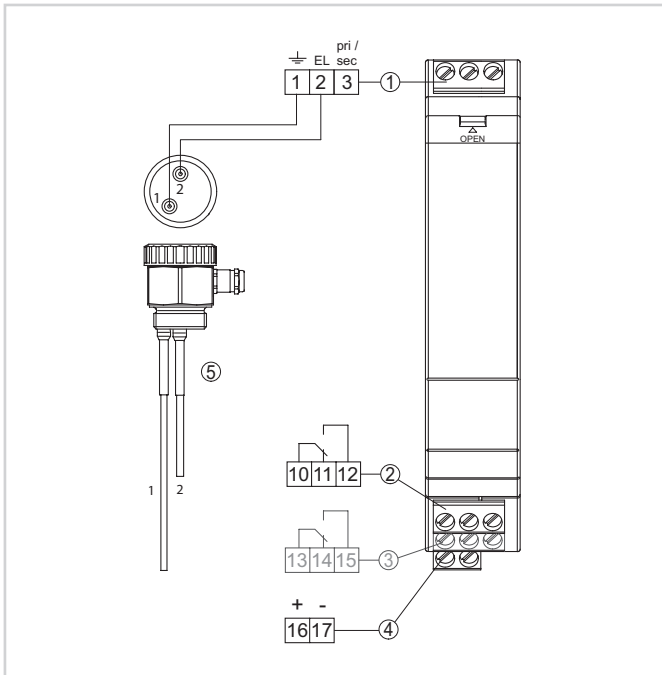
Electrical protective measures

Protection rating IP20

Overvoltage category (IEC 61010-1)

Pollution degree 2

Electrical connection

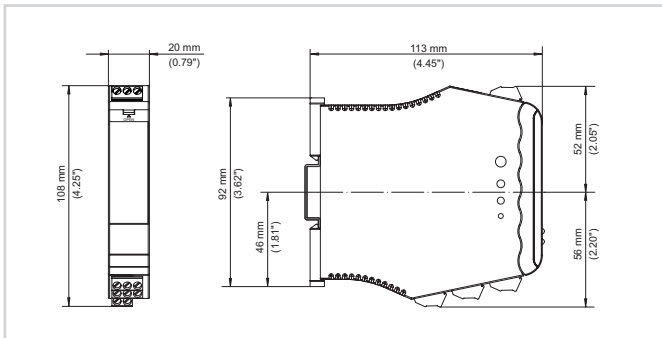


Wiring plan VEGATOR 131

- 1 Sensor circuit (terminal 1 + 2) and Primary/Secondary connection (terminal 3)
- 2 Relay output
- 3 Fail safe relay (optional)
- 4 Voltage supply

You can find details on electrical connection in the instrument operating instructions on our homepage at www.vega.com/downloads.

Dimensions



Dimensions VEGATOR 131

Information

You can find further information on the VEGA product line on our homepage.

In the download section on our homepage you'll find operating instructions, product information, brochures, approval documents, instrument drawings and much, much more.

Software accessories such as the current device software and the appropriate operating software are also available there.

Contact

You can find your personal contact person at VEGA on our homepage under "Contact".