

# CIT 200

## Process Display



### Functional range

- ▶ free scalable display
- ▶ four characteristic curve functions selectable (linear, square, square root or user defined)
- ▶ display brightness and filter adjustable
- ▶ programming via infrared remote control

### Product characteristics

- ▶ input 0/4 ... 20 mA, 0/1/2 ... 5/10 V
- ▶ 4-digit LED display
- ▶ interface RS-485 (Modbus RTU)
- ▶ front panel housing 72 x 36 mm

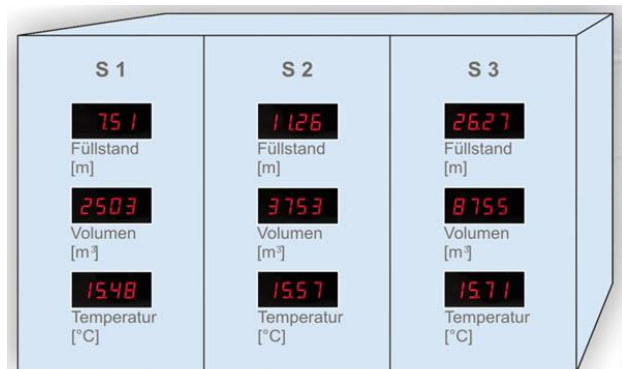
### Optional versions

- ▶ input Pt100 / Pt500 / Pt1000

### Typical application

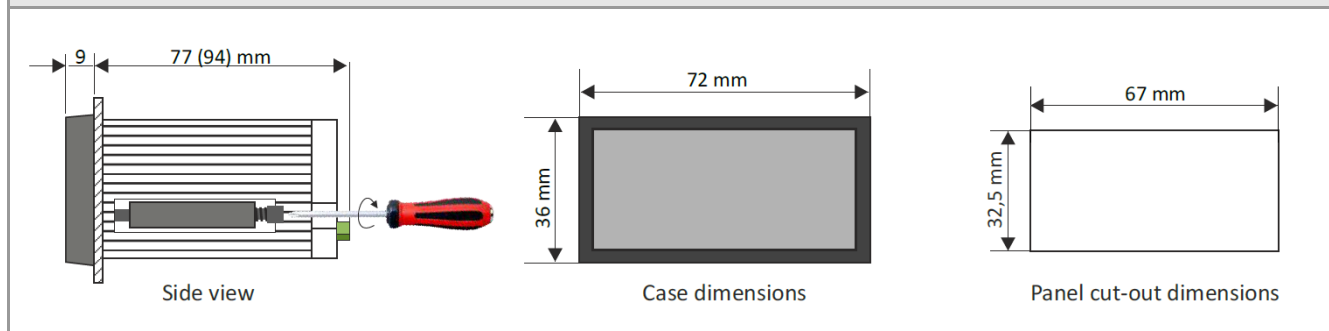


display panel for silo battery



**Modbus**

<b>Supply</b>	
Supply voltage / power consumption	10 ... 30 V <sub>DC</sub> (not isolated from signal input) / max. 1 W 110 V <sub>AC</sub> ± 10 % (isolated from signal input) / max. 1,5 VA 230 V <sub>AC</sub> ± 10 % (isolated from signal input) / max. 1,5 VA
<b>Signal input</b>	
Input signal	0/4 ... 20 mA, 0/1 ... 5 V, 0/2 ... 10 V PT100 / PT500 / PT1000
Accuracy (25 °C)	± 0.1 % FSO, stability: 50 ppm/°C
<b>Display</b>	
Display	LED, red, 4 x 13 mm
Display range	0/4 ... 20 mA, 0/1 ... 5 V, 0/2 ... 10 V: - 999 ... 9999 + decimal point Pt100 / Pt500 / Pt1000: -100,0 ... 600,0 °C
<b>Communication</b>	
Communication interface	RS-485 (Modbus RTU), 8N1/8N2, 1200 – 115200 bit/s
<b>Ingress protection</b>	
Standard	IP 40 (front side), IP 20 (case and connectors)
Option	IP 65 (front side with additional sealing frame for panel cut-out), IP 20 (case and connectors)
<b>Permissible temperatures</b>	
Standard	environment: 0 ... 50 °C, storage: -10 ... 70 °C
Option	environment: -20 ... 50 °C, storage: -20 ... 70 °C
<b>Electrical protection</b>	
Electrical safety	EN 61010-1
EMC	EN 61326-1
CE-conformity	EMC Directive: 2014/30/EU
<b>Housing</b>	
Housing type / dimensions	10 ... 30 V <sub>DC</sub> : front panel mounting / 72 x 36 x 86 mm 110 V <sub>AC</sub> : front panel mounting / 72 x 36 x 103 mm 230 V <sub>AC</sub> : front panel mounting / 72 x 36 x 103 mm
Material	NORYL UL94V-0
Weight	approx. 175 g



<b>Accessories</b>	
Infrared remote control IR 2	
Enables setting of CIT 200.	
Material number: Z900033	

© 2022 BD|SENSORS GmbH – The specifications given in this document represent the state of engineering at the time of publishing. We reserve the right to make modifications to the specifications and materials.

## Ordering code CIT 200

CIT 200 -  -  -

Input type			
0/4 ... 20 mA, 0/1 ... 5 V, 0/2 ... 10 V	8		
Pt100, Pt500, Pt1000	3		
Supply			
10 ... 30 VDC	1		
230 VAC	2		
110 VAC	8		
Special version			
standard	0	0	0
sealing frame IP65	0	1	0
operating temperature -20°C...50°C	0	8	0
IP65 + operating temp. -20...50°C	0	P	0
customer	9	9	9
			consult

Accessories		
infrared remote control IR 2	Z900033	

© 2022 BD|SENSORS GmbH - The specifications given in this document represent the state of engineering at the time of publishing. We reserve the right to make modifications to the specifications and materials.

01.01.2022