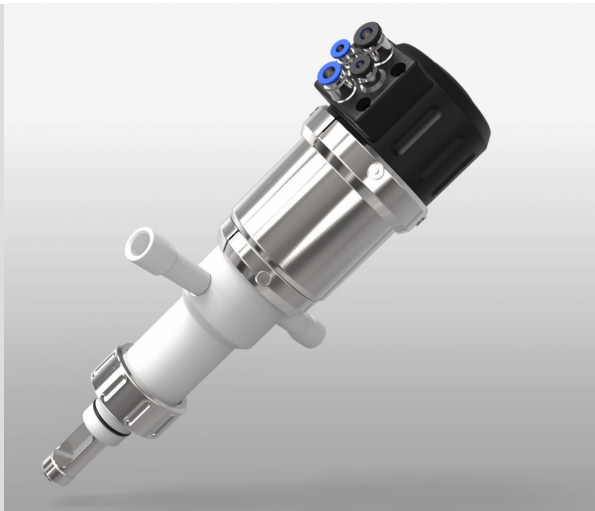


# EXtract 825 plastic for welding socket DN25



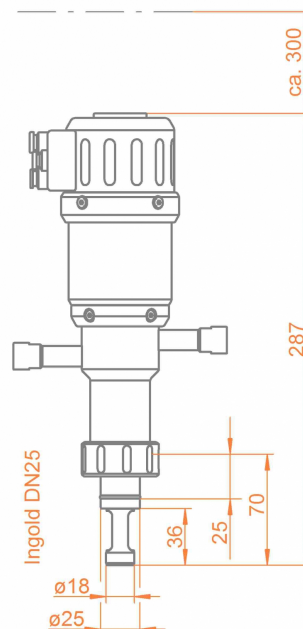
- » Robust design, integrated PTFE scraper
- » Usable for DN25 welding socket
- » Extension of sensor-lifetime and reducing of maintenance efforts
- » Automatic safety lock while sensor is removed
- » Usable in ATEX-areas
- » Immersion length 70mm
- » Up to 10 bar and 140 °C

EXtract 825 is a pneumatically operated retractable probe housing made of plastics accommodating Ø12mm process sensors for installation on welding sockets DN25 / G1 1/4" with integrated PTFE scraper for rougher processes.

## Specifications

|                      |                                     |
|----------------------|-------------------------------------|
| Process pressure:    | 0...10 bar                          |
| Process temperature: | -10...140 °C                        |
| Ambient temperature: | -10...70 °C                         |
| Immersion length:    | 70 mm                               |
| O-ring position:     | 25 mm                               |
| Sensors:             | 225mm Ø12 PG 13.5                   |
| Materials:           | PP, PVDF, PEEK                      |
| Sealings:            | EPDM, FPM (Viton),<br>FFKM (Kalrez) |
| Process connection:  | G1 1/4" (DN25)                      |
| Cleaning ports:      | G1/8", G1/4", FNPT1/4"              |
| Operating power:     | compressed air 4..6 bar             |
| Limit switches:      | pneumatic, integrated               |

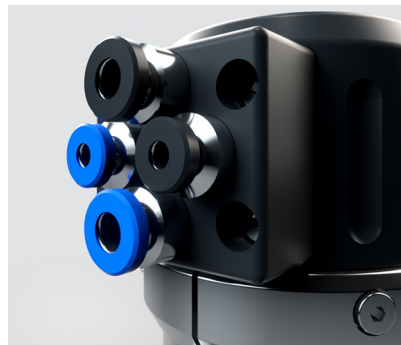
## Dimensions



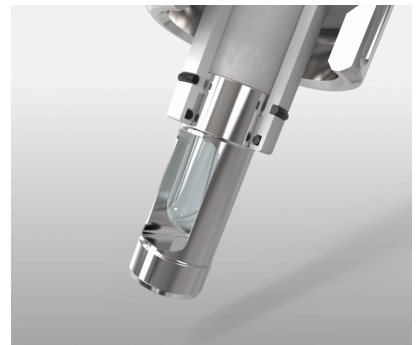
# EXtract 825 plastic for welding socket DN25



Protective cage with sensor in measuring position



Connection board EXtract - pneumatic connections



Sealing system of the EXtract825 with the reliable PTFE scraper

## Order code

| Code | Material (wetted parts)             | Delivery time |
|------|-------------------------------------|---------------|
| PP   | PP                                  | 2 Weeks       |
| PVDF | PVDF                                | 2 Weeks       |
| PEEK | PEEK                                | 2 Weeks       |
| Code | Sealing material (wetted sealings)  | Delivery time |
| EPD  | EPDM/FDA/USP VI                     | 2 Weeks       |
| FPM  | FPM (Viton)                         | 2 Weeks       |
| FKM  | FFKM (Kalrez)                       | 3 Weeks       |
| Code | Sensor type                         | Delivery time |
| 225  | 225mm PG 13,5 gel-filled            | 2 Weeks       |
| 280  | 280mm PG 13,5 liquid filled         | 2 Weeks       |
| Code | Process connection                  | Delivery time |
| IN25 | G1 1/4" (DN25) O-ring-position 25mm | 2 Weeks       |
| Code | Cleaning connection                 | Delivery time |
| G18  | G 1/8" female thread                | 2 Weeks       |
| G14  | G 1/4" female thread                | 2 Weeks       |
| N14  | 1/4" NPT female thread              | 2 Weeks       |
| Code | Position switch                     | Delivery time |
| PN   | pneumatic                           | 2 Weeks       |