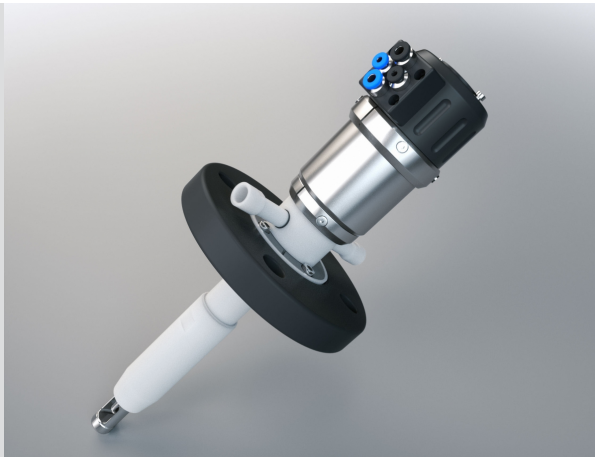


EXtract 821 plastics, extended immersion



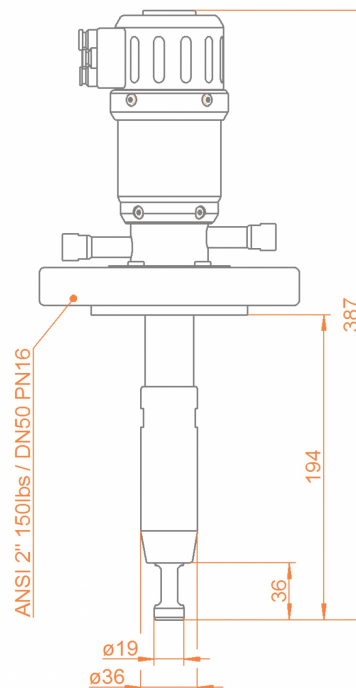
- » Robust design, integrated scraper
- » Extension of sensor-lifetime and reducing of maintenance efforts
- » Automatic safety lock while sensor is removed
- » Plug and play installation, colour- and size-coded connection system
- » Integrated limit switches
- » Usable in ATEX-areas
- » PVDF, PEEK

EXtract 821 is a pneumatically operated retractable probe housing made of plastics for installation of Ø12-325mm sensors on tanks or pipelines with an extended immersion length up to 194mm.

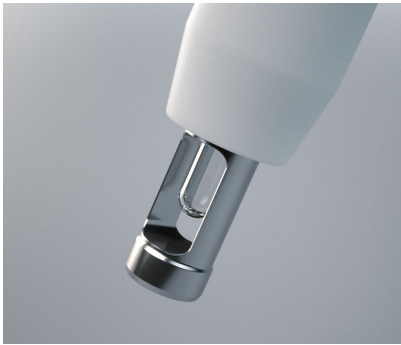
Specifications

Process pressure:	0...10 bar
Process temperature:	-10...140 °C
Ambient temperature:	-10...70 °C
Immersion length:	up to 194 mm
Sensors:	325 mm Ø12 PG13.5
Materials:	PVDF / Alloy C22, PEEK
Sealings:	EPDM, FPM (Viton), FFKM (Kalrez)
Process connection:	Flange DN50 PN16 / ANSI 2" 150lbs
Cleaning ports:	G1/8", G1/4", FNPT 1/4"
Operating power:	compressed air 4...6 bar
Limit switches:	pneumatic, integrated

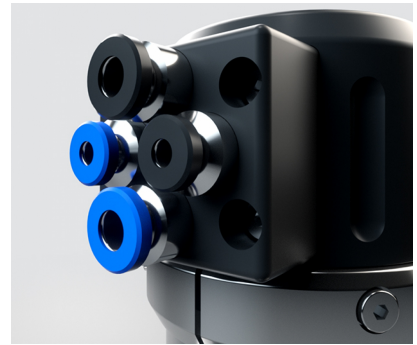
Dimensions



EXtract 821 plastics, extended immersion



Protective cage with sensor in measuring position



Connection board Extract - pneumatic connections

Order code

Code	Material (wetted parts)	Delivery time
PVDF	PVDF	2 Weeks
PEEK	PEEK	2 Weeks

Code	Sealing material (wetted sealings)	Delivery time
EPD	EPDM/FDA/USP VI	2 Weeks
FPM	FPM (Viton)	2 Weeks
FKM	FFKM (Kalrez)	3 Weeks

Code	Sensor type	Delivery time
325	325mm PG 13,5 gel-filled	2 Weeks
380	380mm PG 13,5 liquid filled	2 Weeks

Code	Process connection	Delivery time
D50	Flange DN50 PN16	2 Weeks
A20	Flange ANSI 2" 150lbs	2 Weeks

Code	Cleaning connection	Delivery time
G18	G 1/8" female thread	2 Weeks
G14	G 1/4" female thread	2 Weeks
N14	1/4" NPT female thread	2 Weeks

Code	Position switch	Delivery time
PN	pneumatic	2 Weeks